



Phone: (765)448-4800

FAX: (765) 448-4885

Parts Tech. Hotline: 1-800-542-3088

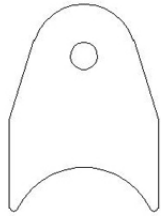
Cupped Tab Chart

**Tabs sorted by Shape, Hole Size,
Material, Thickness and Part
Number**

**Click on any image to find out more information for that tab.
(You may go online to order any of these tabs through our E-catalog.
Make sure to connect to the internet before attempting the link below.)
E-catalog URL - <http://secure.mckinneycorp.com>**



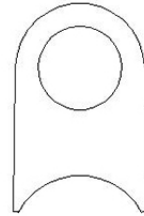
FC-310



FC-311



FC-312



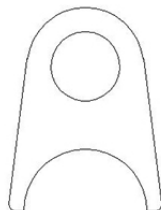
FC-371



FC-403



FC-648



M-1-S



M-2



M-3-B



M-5



M-5-A



M-5-C



M-5-C1



M-10



M-10-B



M-10-D



M-10-DT



M-10-D1

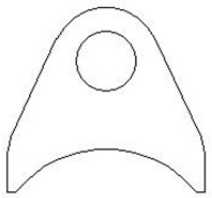


M-10-F

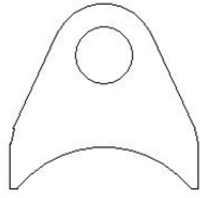


M-16-B

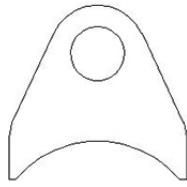
**Click on any image to find out more information for that tab.
(You may go online to order any of these tabs through our E-catalog.
Make sure to connect to the internet before attempting the link below.)
E-catalog URL - <http://secure.mckinneycorp.com>**



M-16-BTI



M-16-DT



M-16-DTT



M-25-RI



M-25-S



M-25-ST



M-25-T-RI



M-30-A



M-72-A



M-72-ATI



M-94-JT



M-119



M-119-A



M-119-T



M-121-D5



M-121-D6



M-121-K



M-153-B



M-153-BTI



M-186

**Click on any image to find out more information for that tab.
(You may go online to order any of these tabs through our E-catalog.
Make sure to connect to the internet before attempting the link below.)
E-catalog URL - <http://secure.mckinneycorp.com>**



M-187



M-3930-B



M-3930-B1



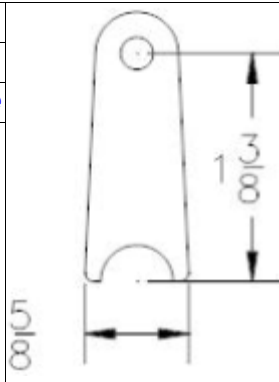
M-4260-A

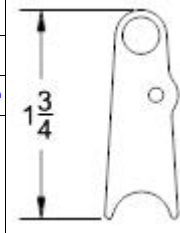


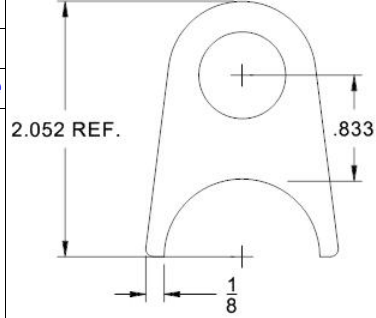
M-4687

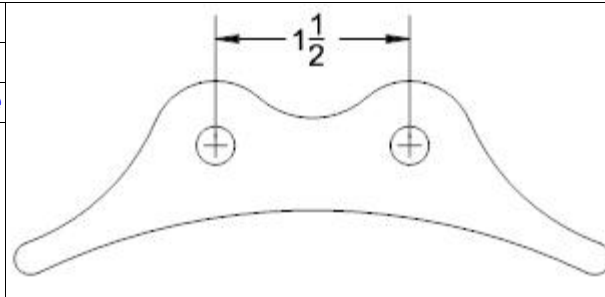


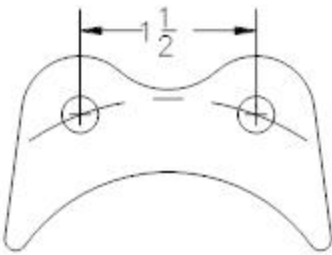
SPL-254

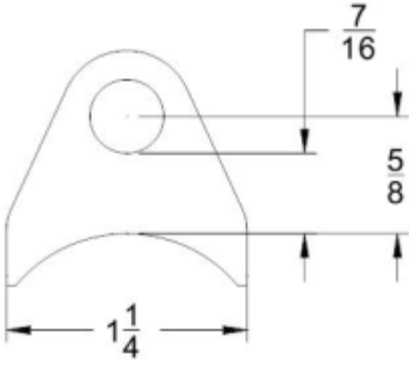
Part #	M-121-D6	
Desc.	TOE PEDAL BELLCRANK MOUNT TAB (LONG)	
Material	4130	Back to Image
Hole Size A	.1875"	
Hole Size B		
Hole Size C		
Base Width	.625"	
Thickness	.125"	
Style	cupped	
Comment		

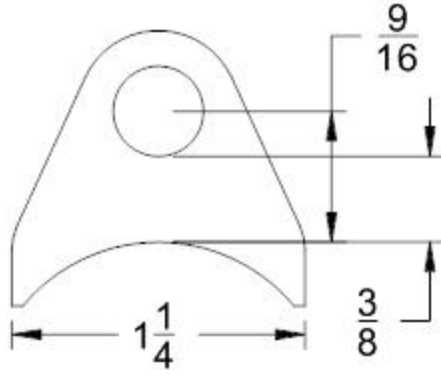
Part #	M-25-RI	
Desc.	REAR BODY RELEASE INNER TAB (F/C)	
Material	4130	Back to Image
Hole Size A	.3125"	
Hole Size B	.125"	
Hole Size C		
Base Width		
Thickness	.090"	
Style	cupped	
Comment		

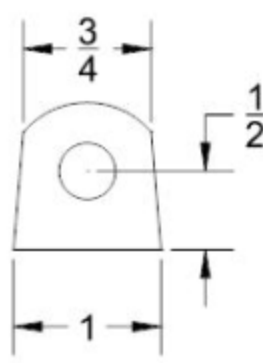
Part #	M-1-S	
Desc.	A ARM TAB (LOWER F/C)	
Material	4130	Back to Image
Hole Size A	.6875"	
Hole Size B		
Hole Size C		
Base Width	1 9/16"	
Thickness	.125"	
Style	cupped	
Comment		

Part #	M-187	
Desc.	WEIGHT BAR TAB (REAR BENT TREE)	
Material	4130	Back to Image
Hole Size A	.3125"	
Hole Size B		
Hole Size C		
Base Width	N/A	
Thickness	.125"	
Style	cupped	
Comment		

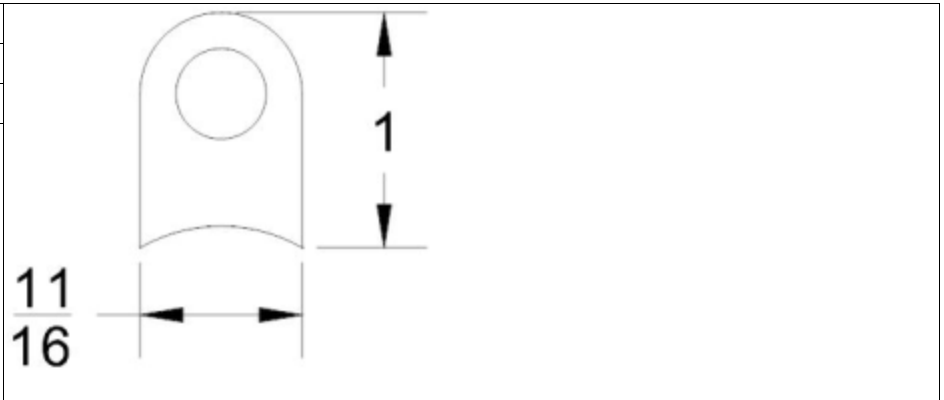
Part #	M-186	
Desc.	WEIGHT BAR TUBE TAB (REAR)	
Material	4130 Back to Image	
Hole Size A	.3125"	
Hole Size B		
Hole Size C		
Base Width	N/A	
Thickness	.125"	
Style	cupped	
Comment		

Part #	M-16-DT	
Desc.	MOTOR MOUNT TAB (FRONT T/F)	
Material	4130 Back to Image	
Hole Size A	.375"	
Hole Size B		
Hole Size C		
Base Width	1 1/4"	
Thickness	.125"	
Style	cupped	
Comment		

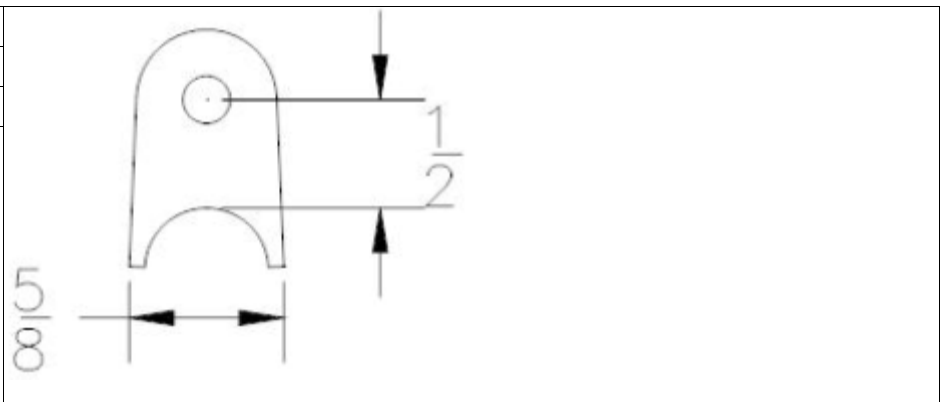
Part #	M-16-B	
Desc.	MOTOR MOUNT TAB (FRONT)	
Material	4130 Back to Image	
Hole Size A	.375"	
Hole Size B		
Hole Size C		
Base Width	1 1/4"	
Thickness	.125"	
Style	cupped	
Comment		

Part #	M-153-F	
Desc.	CLUTCH PEDAL STOP TAB	
Material	4130 Back to Image	
Hole Size A	.375"	
Hole Size B		
Hole Size C		
Base Width	0.938"	
Thickness	.188"	
Style	cupped	
Comment		

Part #	SPL-254	
Desc.	#3 HARDLINE TAB	
Material	4130	Back to Image
Hole Size A	.38"	
Hole Size B		
Hole Size C		
Base Width	.682"	
Thickness	.125"	
Style	cupped	
Comment		



Part #	M-121-K	
Desc.	TOE PEDAL CABLE TAB	
Material	4130	Back to Image
Hole Size A	.1875"	
Hole Size B		
Hole Size C		
Base Width	.625"	
Thickness	.125"	
Style	cupped	
Comment		



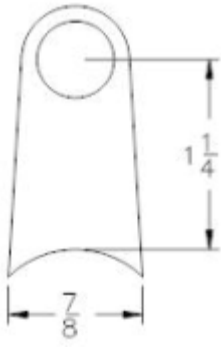
Part #	M-25-S	
Desc.	FRONT LATCH TAB	
Material	4130	Back to Image
Hole Size A	.250"	
Hole Size B		
Hole Size C		
Base Width	.750"	
Thickness	.063"	
Style	cupped	
Comment		



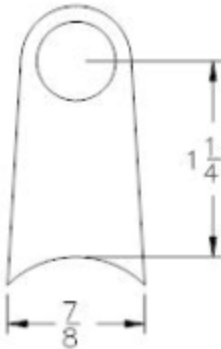
Part #	M-121-D5	
Desc.	TOE PEDAL BELLCRANK MOUNT TAB (SHORT)	
Material	4130	Back to Image
Hole Size A	.1875"	
Hole Size B		
Hole Size C		
Base Width	.625"	
Thickness	.125"	
Style	cupped	
Comment		



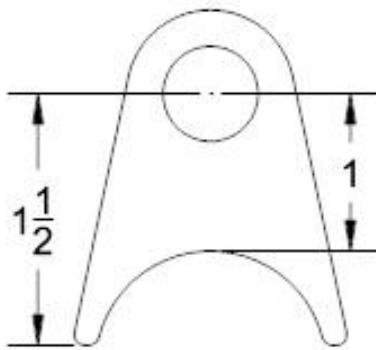
Part #	M-119-A	
Desc.	SWITCH TAB	
Material	4130	Back to Image
Hole Size A	.500"	
Hole Size B		
Hole Size C		
Base Width	7/8"	
Thickness	.090"	
Style	cupped	
Comment		




Part #	M-119	
Desc.	SWITCH TAB	
Material	4130	Back to Image
Hole Size A	.500"	
Hole Size B		
Hole Size C		
Base Width	7/8"	
Thickness	.090"	
Style	cupped	
Comment		

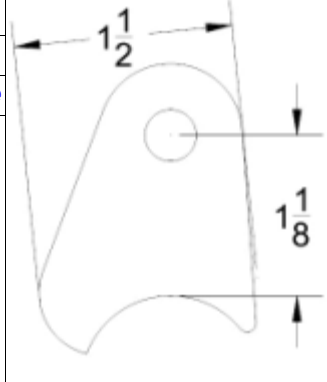


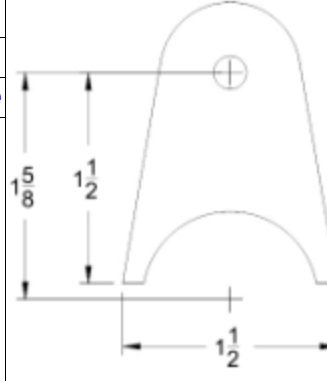
Part #	M-10-F	
Desc.	MOTOR MOUNT TAB (BOTTOM REAR F/C)	
Material	4130	Back to Image
Hole Size A	.5625"	
Hole Size B		
Hole Size C		
Base Width	N/A	
Thickness	.125"	
Style	cupped	
Comment		

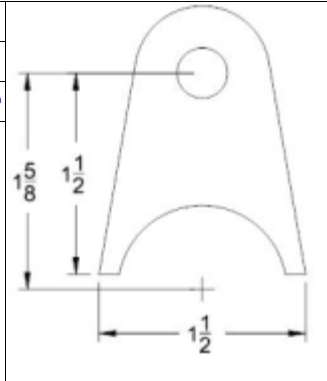


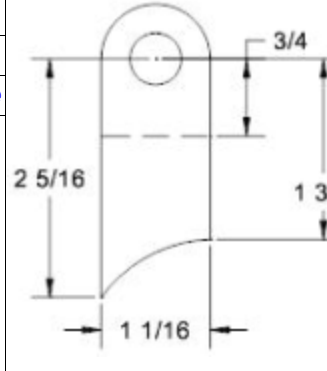
Part #	M-10-D1	
Desc.	MOUNTING TAB	
Material	4130	Back to Image
Hole Size A	.375"	
Hole Size B		
Hole Size C		
Base Width	1 1/2"	
Thickness	.190"	
Style	cupped	
Comment		

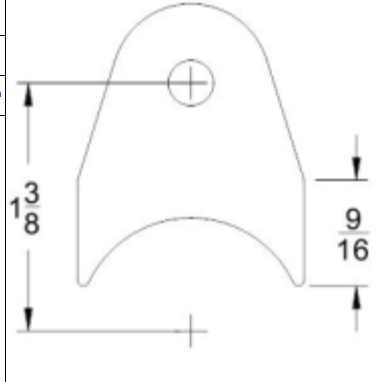


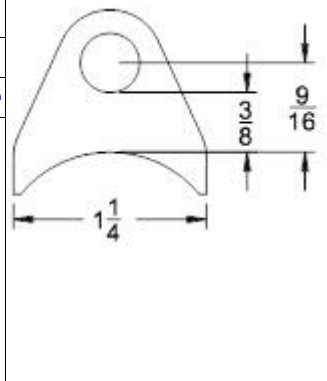
Part #	M-10-D		
Desc.	SADDLE TAB (SWINDAHL STYLE)		
Material	4130	Back to Image	
Hole Size A	.375"		
Hole Size B			
Hole Size C			
Base Width	1 1/2"		
Thickness	.188"		
Style	cupped		
Comment			

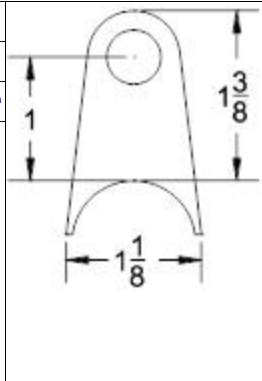
Part #	M-10-B		
Desc.	REAR TREE TAB		
Material	4130	Back to Image	
Hole Size A	.250"		
Hole Size B			
Hole Size C			
Base Width	1 1/2"		
Thickness	.125"		
Style	cupped		
Comment			

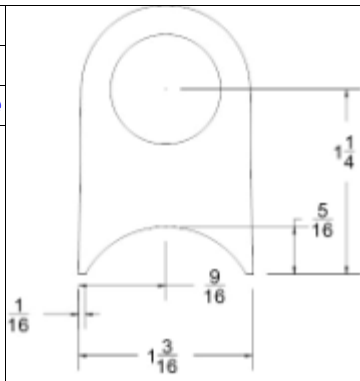
Part #	M-10		
Desc.	UNIVERSAL TAB (LARGE)		
Material	4130	Back to Image	
Hole Size A	.375"		
Hole Size B			
Hole Size C			
Base Width	1 1/2"		
Thickness	.125"		
Style	cupped		
Comment			

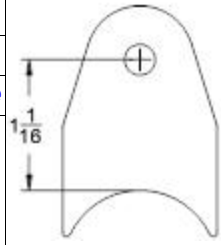
Part #	M-153-B		
Desc.	CLUTCH PEDAL SUPPORT TAB		
Material	4130	Back to Image	
Hole Size A	.503"		
Hole Size B			
Hole Size C			
Base Width	1 1/16"		
Thickness	.090"		
Style	cupped		
Comment			

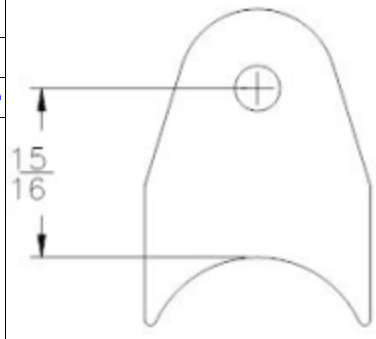
Part #	M-5-C	
Desc.	A ARM TAB (DRAGSTER)	
Material	4130 Back to Image	
Hole Size A	.250"	
Hole Size B		
Hole Size C		
Base Width	1 1/4"	
Thickness	.125"	
Style	cupped	
Comment		

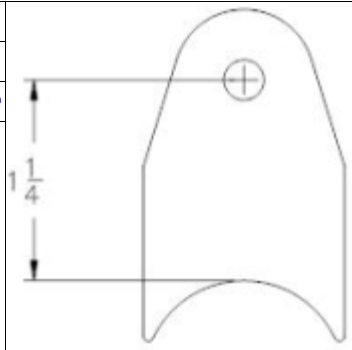
Part #	FC-648	
Desc.	SLIP TUBE-FRONT MOTOR MOUNT REAR TAB	
Material	4130 Back to Image	
Hole Size A	.385"	
Hole Size B		
Hole Size C		
Base Width	1 1/4"	
Thickness	.125"	
Style	cupped	
Comment		

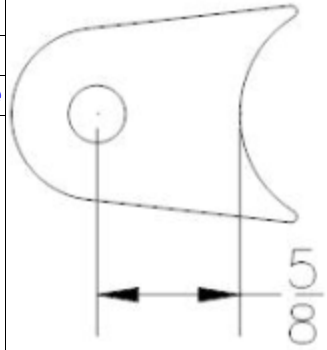
Part #	FC-403	
Desc.	#4 BULKHEAD TAB	
Material	4130 Back to Image	
Hole Size A	.440"	
Hole Size B		
Hole Size C		
Base Width	1.092"	
Thickness	.125"	
Style	cupped	
Comment		

Part #	FC-371	
Desc.	RETURN LINE TAB	
Material	4130 Back to Image	
Hole Size A	.750"	
Hole Size B		
Hole Size C		
Base Width	1 3/16"	
Thickness	.125"	
Style	cupped	
Comment		

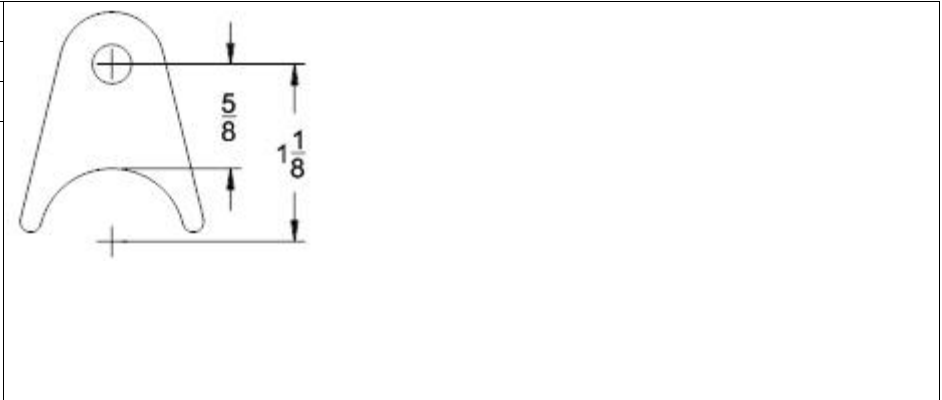
Part #	FC-312		
Desc.	COIL MOUNT TAB		
Material	4130	Back to Image	
Hole Size A	.250"		
Hole Size B			
Hole Size C			
Base Width	N/A		
Thickness	.125"		
Style	cupped		
Comment			

Part #	FC-311		
Desc.	COIL MOUNT TAB		
Material	4130	Back to Image	
Hole Size A	.250"		
Hole Size B			
Hole Size C			
Base Width	N/A		
Thickness	.125"		
Style	cupped		
Comment			

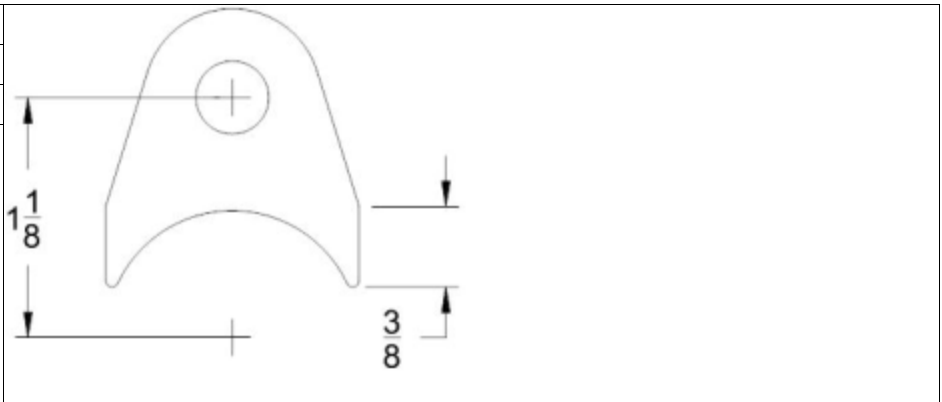
Part #	FC-310		
Desc.	COIL MOUNT TAB		
Material	4130	Back to Image	
Hole Size A	.250"		
Hole Size B			
Hole Size C			
Base Width	N/A		
Thickness	.125"		
Style	cupped		
Comment			

Part #	M-94-JT		
Desc.	LEVER (DRG SEAT MOUNT TAB)		
Material	4130	Back to Image	
Hole Size A	.250"		
Hole Size B			
Hole Size C			
Base Width	1"		
Thickness	.090"		
Style	cupped		
Comment			

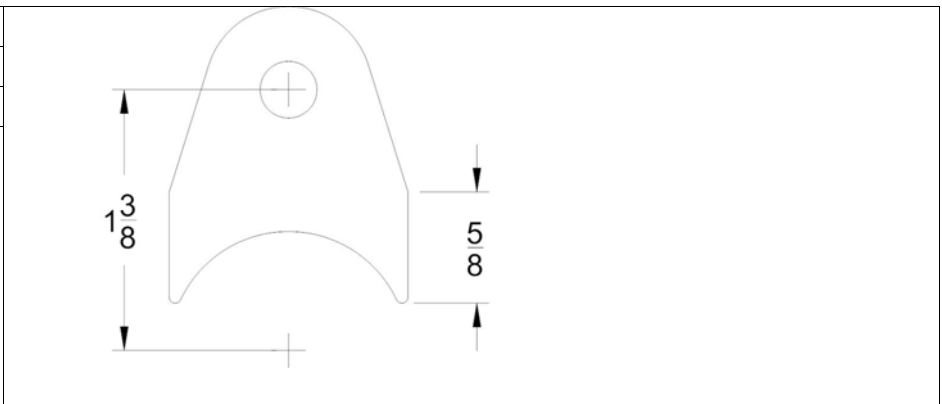
Part #	M-72-A	
Desc.	WHEELIE BAR STRUT TAB	
Material	4130	Back to Image
Hole Size A	.250"	
Hole Size B		
Hole Size C		
Base Width	1"	
Thickness	.188"	
Style	cupped	
Comment		



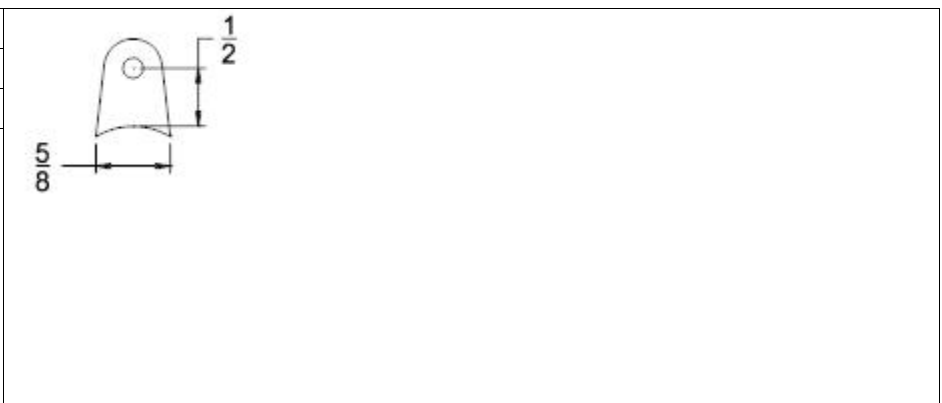
Part #	M-2	
Desc.	UNIVERSAL TAB	
Material	4130	Back to Image
Hole Size A	.375"	
Hole Size B		
Hole Size C		
Base Width	1 1/4"	
Thickness	.125"	
Style	cupped	
Comment		



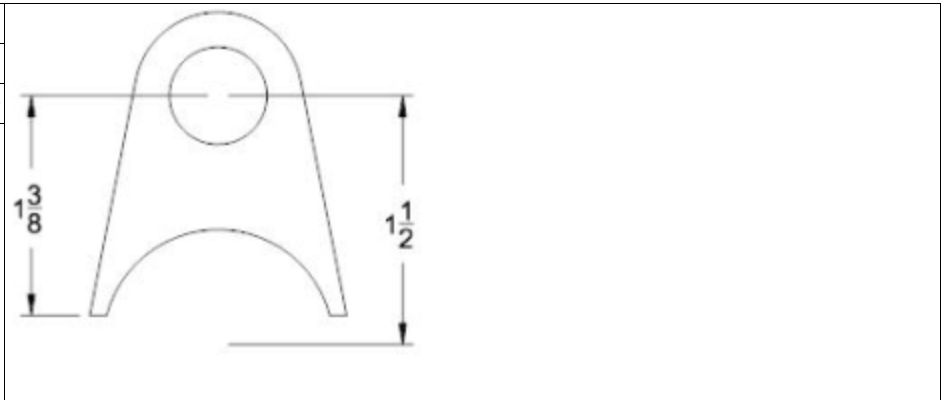
Part #	M-5-C1	
Desc.	A ARM TAB (DRG TALL)	
Material	4130	Back to Image
Hole Size A	.3125"	
Hole Size B		
Hole Size C		
Base Width	1 1/4"	
Thickness	.125"	
Style	cupped	
Comment		



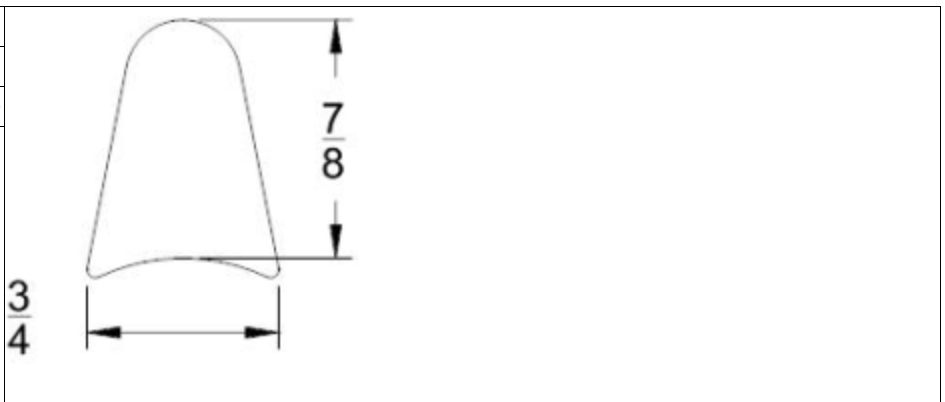
Part #	M-4260-A	
Desc.	WINGSPAR TAB	
Material	4130	Back to Image
Hole Size A	.1875"	
Hole Size B		
Hole Size C		
Base Width	.625"	
Thickness	.063"	
Style	cupped	
Comment		



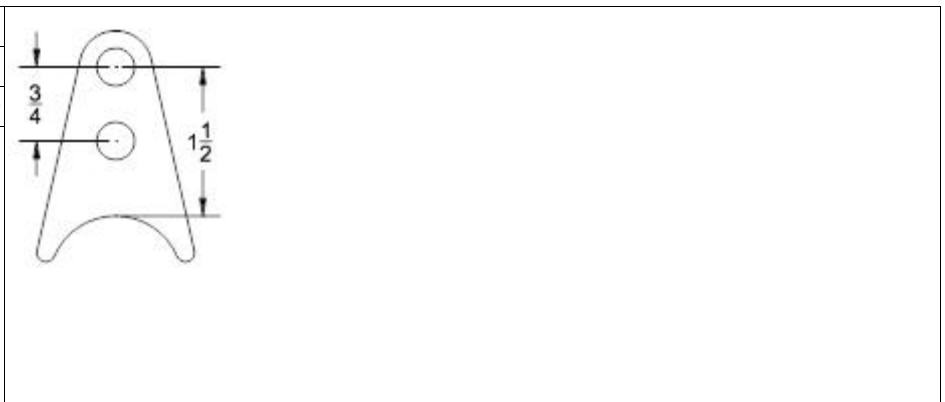
Part #	M-3-B	
Desc.	MOTOR MOUNT TAB (BACK)	
Material	4130	Back to Image
Hole Size A	.583"	
Hole Size B		
Hole Size C		
Base Width	1 9/16"	
Thickness	.125"	
Style	cupped	
Comment		



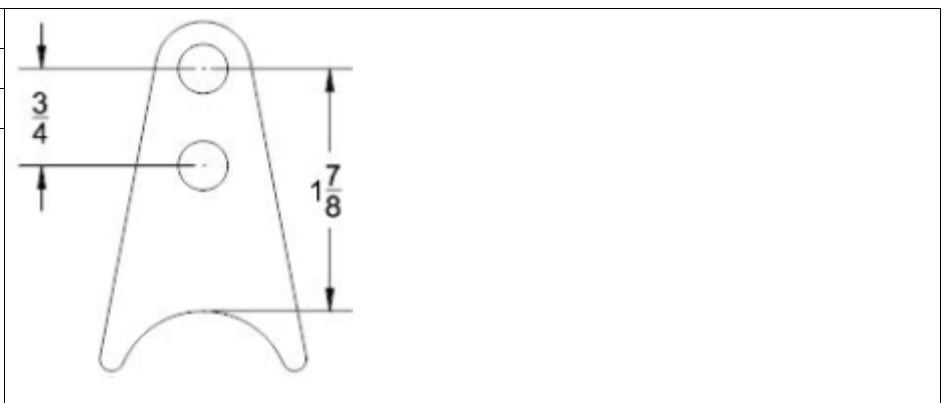
Part #	M-30-A	
Desc.	SPAGHETTI STOP TAB	
Material	4130	Back to Image
Hole Size A	N/A	
Hole Size B		
Hole Size C		
Base Width	.750"	
Thickness	.063"	
Style	cupped	
Comment		



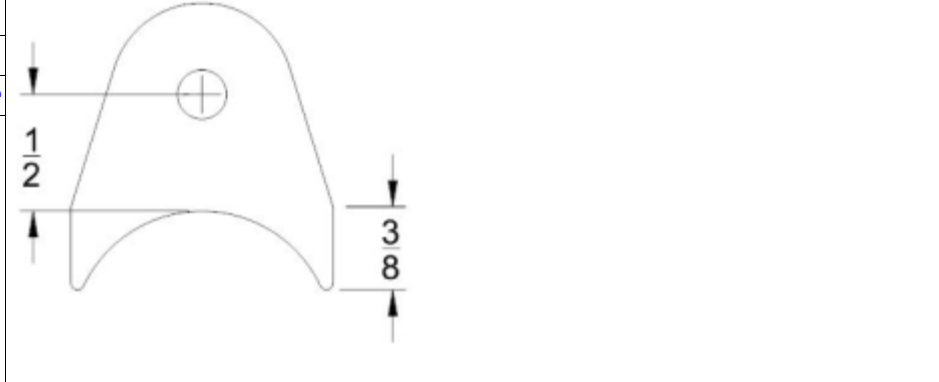
Part #	M-3930-B	
Desc.	MASTER CYLINDER DUAL RESERVOIR MOUNT TAB	
Material	4130	Back to Image
Hole Size A	.390"	
Hole Size B		
Hole Size C		
Base Width	1 1/2"	
Thickness	.125"	
Style	cupped	
Comment		



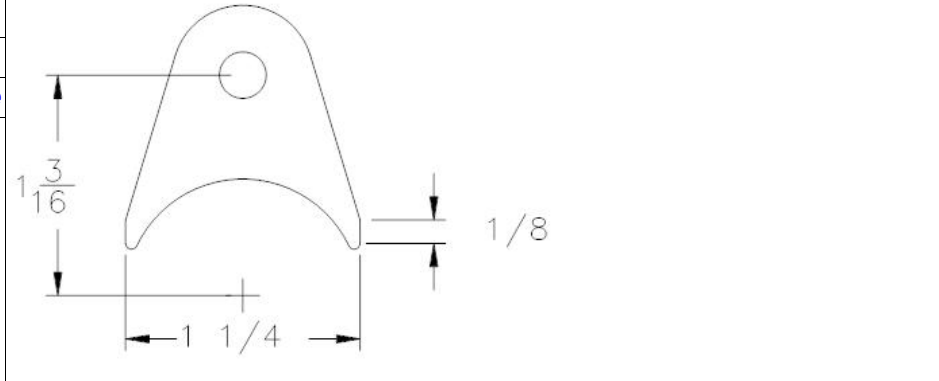
Part #	M-3930-B1	
Desc.	DUAL RESERVOIR TAB (LONG)	
Material	4130	Back to Image
Hole Size A	.3906"	
Hole Size B		
Hole Size C		
Base Width	N/A	
Thickness	.125"	
Style	cupped	
Comment		




Part #	M-5-A	
Desc.	UNIVERSAL TAB	
Material	4130	Back to Image
Hole Size A	.250"	
Hole Size B		
Hole Size C		
Base Width	1 1/4"	
Thickness	.125"	
Style	cupped	
Comment		



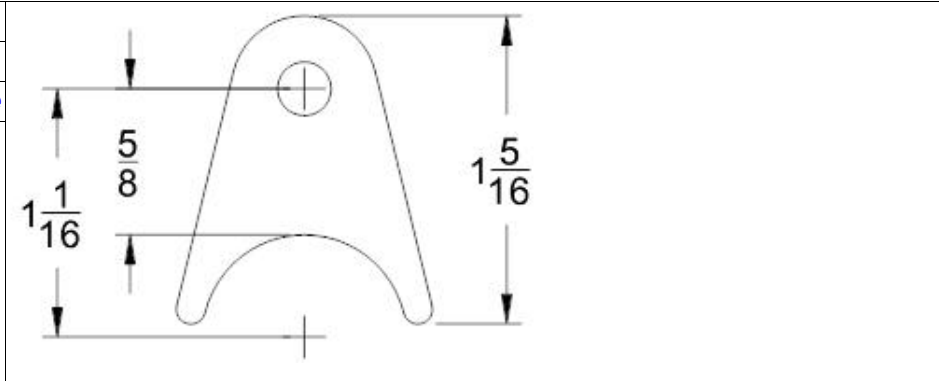
Part #	M-4687	
Desc.	MUDFLAP ADJ. LINK TAB (CHASSIS)	
Material	4130	Back to Image
Hole Size A	.250"	
Hole Size B		
Hole Size C		
Base Width	1 1/4"	
Thickness	.125"	
Style	cupped	
Comment		




Part #	M-5	
Desc.	UNIVERSAL TAB	
Material	4130	Back to Image
Hole Size A	.375"	
Hole Size B		
Hole Size C		
Base Width	1 1/2"	
Thickness	.125"	
Style	cupped	
Comment		



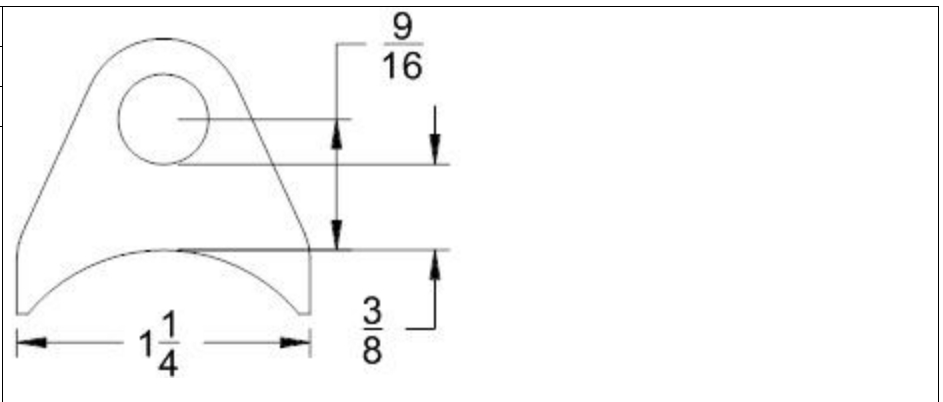
Part #	M-72-ATI	
Desc.	WHEELIE BAR STRUT TAB	
Material	6-4 Ti	Back to Image
Hole Size A	.250"	
Hole Size B		
Hole Size C		
Base Width	N/A	
Thickness	.125"	
Style	cupped	
Comment		



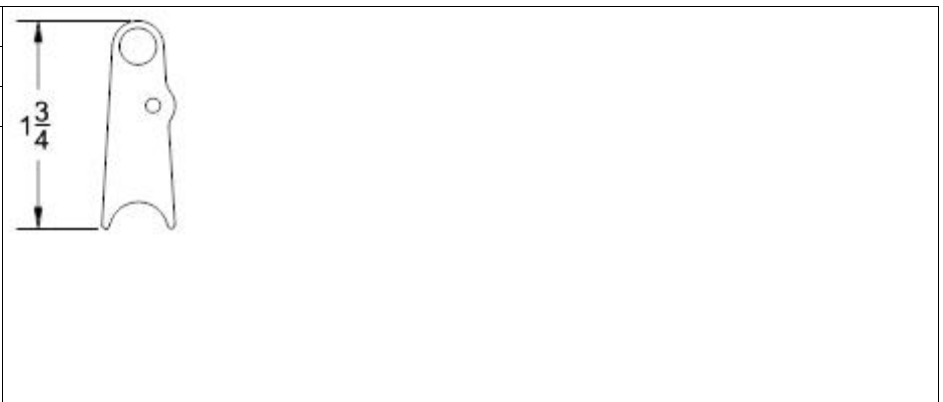
Part #	M-10-DT	
Desc.	MOUNTING TAB	
Material	6-4 Ti	Back to Image
Hole Size A	.375"	
Hole Size B		
Hole Size C		
Base Width	1 1/2"	
Thickness	.190"	
Style	cupped	
Comment		



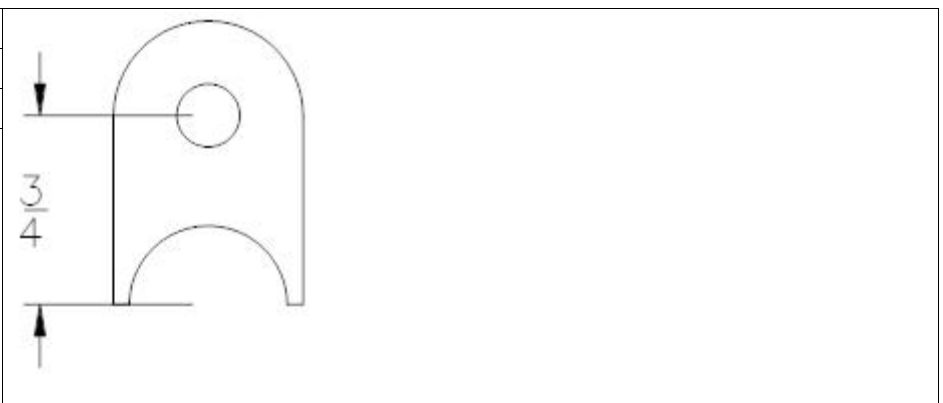
Part #	M-16-BTI	
Desc.	MOTOR MOUNT TAB (FRONT)	
Material	6-4 Ti	Back to Image
Hole Size A	.375"	
Hole Size B		
Hole Size C		
Base Width	1 1/4"	
Thickness	.125"	
Style	cupped	
Comment		

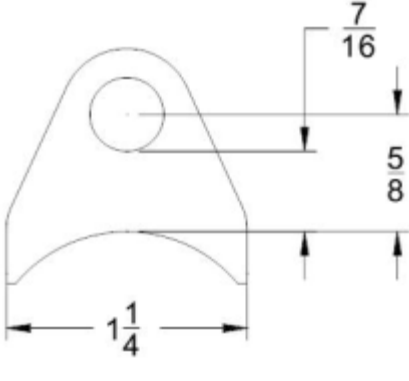


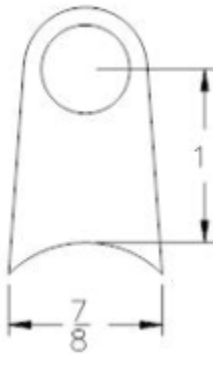
Part #	M-25-T-RI	
Desc.	REAR BODY RELEASE INNER TAB	
Material	6-4 Ti	Back to Image
Hole Size A	.3125"	
Hole Size B	.125"	
Hole Size C		
Base Width		
Thickness	.090"	
Style	cupped	
Comment		

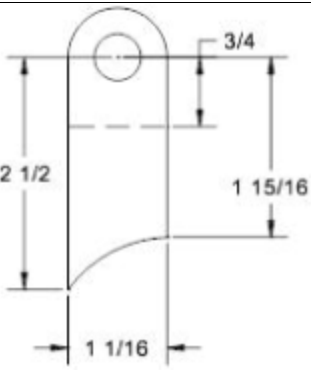


Part #	M-25-ST	
Desc.	FRONT LATCH TAB	
Material	6-4 Ti	Back to Image
Hole Size A	.250"	
Hole Size B		
Hole Size C		
Base Width	N/A	
Thickness	.063"	
Style	cupped	
Comment		



Part #	M-16-DDT		
Desc.	MOTOR MOUNT TAB (FRONT T/F)		
Material	6-4 Ti	Back to Image	
Hole Size A	.375"		
Hole Size B			
Hole Size C			
Base Width	1 1/4"		
Thickness	.125"		
Style	cupped		
Comment			

Part #	M-119-T		
Desc.	SWITCH TAB		
Material	Cp Gr2 Ti	Back to Image	
Hole Size A	.500"		
Hole Size B			
Hole Size C			
Base Width	7/8"		
Thickness	.090"		
Style	cupped		
Comment			

Part #	M-153-BTI		
Desc.	CLUTCH PEDAL SUPPORT TAB		
Material	Cp Gr2 Ti	Back to Image	
Hole Size A	.500"		
Hole Size B			
Hole Size C			
Base Width	N/A		
Thickness	.093"		
Style	cupped		
Comment			