



Phone: (765)448-4800

FAX: (765) 448-4885

Parts Tech. Hotline: 1-800-542-3088

Flat Tab Chart

**Tabs sorted by Shape, Hole Size,
Material, Thickness and Part
Number**

**Click on any image to find out more information for that tab.
(You may go online to order any of these tabs through our E-catalog.
Make sure to connect to the internet before attempting the link below.)
E-catalog URL - <http://secure.mckinneycorp.com>**



FC - 182



FC - 199



FC - 223 - B



FC - 367



FC - 370



FC - 373



FC - 414



FC - 496



FC - 581



FC - 582



FC - 582 - A



FC - 596



FC - 675



M - 4



M - 4 T



M - 5 - E



M - 6



M - 8



M - 8 - A



M - 10 - C

Click on any image to find out more information for that tab.
(You may go online to order any of these tabs through our E-catalog.
Make sure to connect to the internet before attempting the link below.)
E-catalog URL - <http://secure.mckinneycorp.com>



M - 10 - C1



M - 10 - C2



M - 10 - CT



M - 10 - E



M - 18



M - 18 - A



M - 51 - C



M - 51 - CT



M - 54



M - 54 - A



M - 60



M - 72



M - 73



M - 73 - A



M - 73 - B



M - 73 - BT



M - 73 - C



M - 73 - D























M - 73 - TI























M - 76

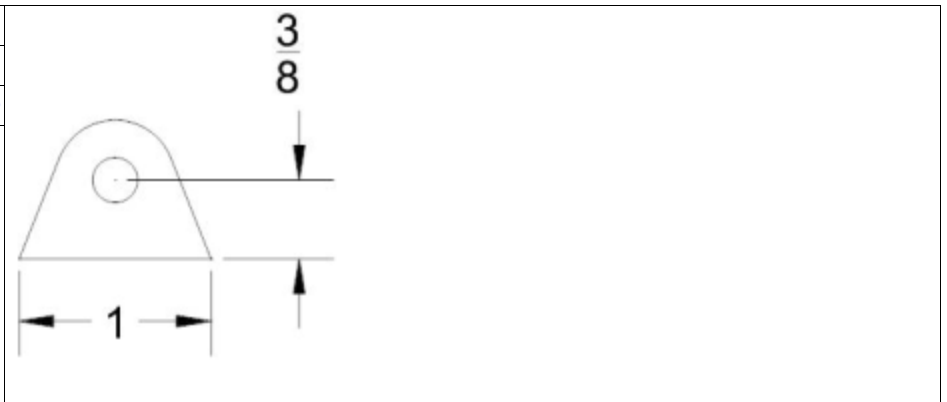
**Click on any image to find out more information for that tab.
(You may go online to order any of these tabs through our E-catalog.
Make sure to connect to the internet before attempting the link below.)
E-catalog URL - <http://secure.mckinneycorp.com>**

 <p>M - 115 - S2</p>	 <p>M - 146 - B2</p>	 <p>M - 148 - G</p>	 <p>M - 149 - T</p>	 <p>M - 149 - T1</p>
 <p>M - 149 - T1T</p>	 <p>M - 153 - FTI</p>	 <p>M - 176 - C</p>	 <p>M - 226</p>	 <p>M - 226 - D</p>
 <p>M-228</p>	 <p>M-228-D</p>	 <p>M - 229</p>	 <p>M - 266 - C</p>	 <p>M - 270</p>
 <p>M-270-A</p>	 <p>M - 291 - B</p>	 <p>M - 292</p>	 <p>M - 2022</p>	 <p>M-3930-A</p>

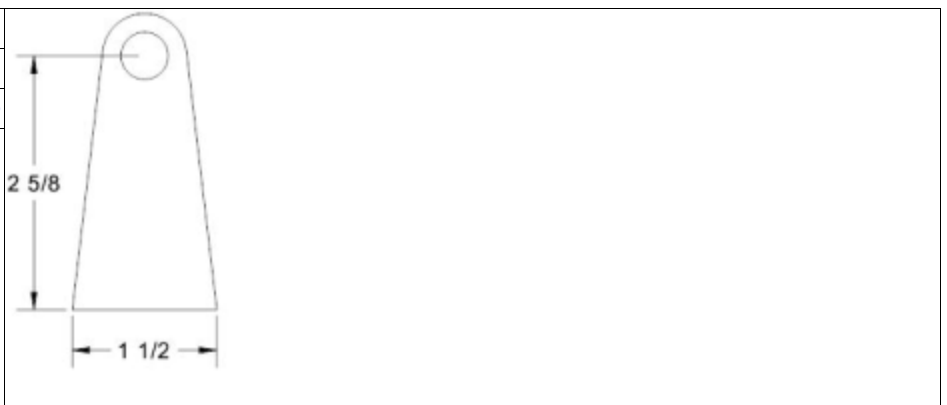
**Click on any image to find out more information for that tab.
(You may go online to order any of these tabs through our E-catalog.
Make sure to connect to the internet before attempting the link below.)
E-catalog URL - <http://secure.mckinneycorp.com>**

 M-3941-A	 M - 4266	 M-4271	 SPL - 48	 SPL - 49
 SPL - 195	 SPL - 196	 SPL - 196 - T	 SPL - 207 - A	 SPL - 212
 SPL - 269	 SPL - 320	 SPL - 320 - T	 SPL - 348	 SPL - 429
 SPL - 465	 SPL - 470	 TF - 192	 TF - 397	 TF - 399 - B

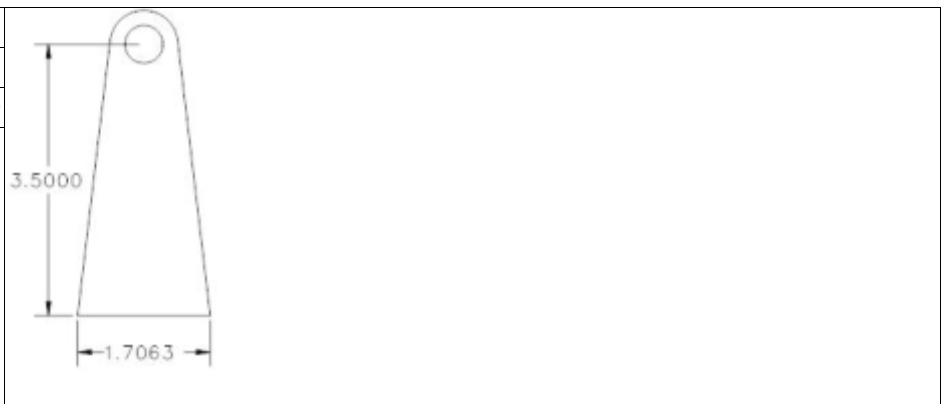
Part #	M-4271
Desc.	WING BLOCK BRKT MOUNT TAB
Material	4130 Back to Image
Hole Size A	.250"
Hole Size B	
Hole Size C	
Base Width	1"
Thickness	.063"
Style	flat
Comment	



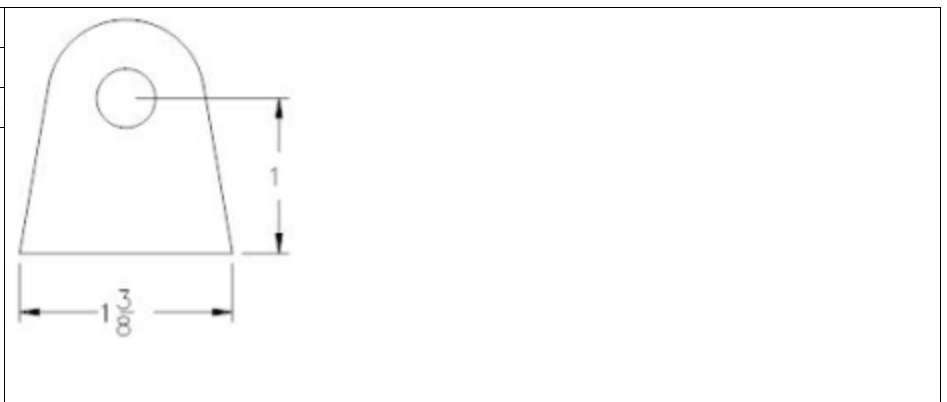
Part #	M-270
Desc.	TANK MOUNT TAB (DRAGSTER)
Material	4130 Back to Image
Hole Size A	.500"
Hole Size B	
Hole Size C	
Base Width	1 1/2"
Thickness	.125"
Style	flat
Comment	

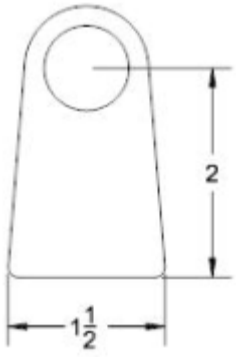


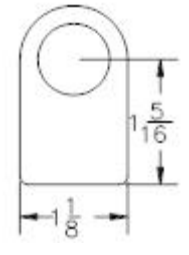
Part #	M-270-A
Desc.	TANK MOUNT TAB (DRAGSTER)
Material	4130 Back to Image
Hole Size A	.500"
Hole Size B	
Hole Size C	
Base Width	1 11/16"
Thickness	.125"
Style	flat
Comment	

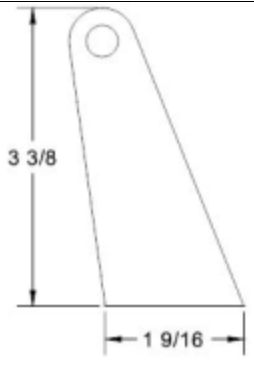


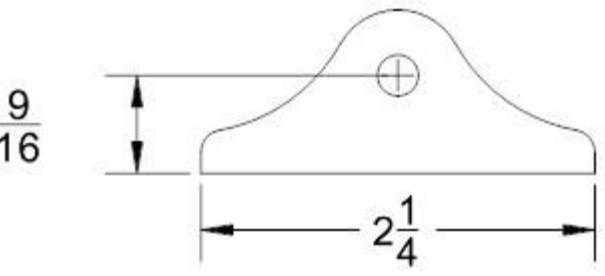
Part #	M-291-B
Desc.	STEERING SHAFT TAB (DRAGSTER)
Material	4130 Back to Image
Hole Size A	.375"
Hole Size B	
Hole Size C	
Base Width	1 1/4"
Thickness	.125"
Style	flat
Comment	



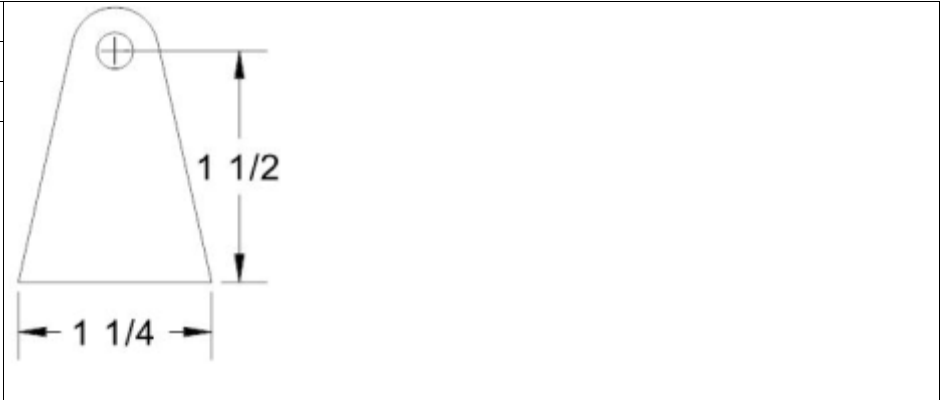
Part #	M-292		
Desc.	STEERING SHAFT SUPPORT TAB		
Material	4130	Back to Image	
Hole Size A	.8125		
Hole Size B			
Hole Size C			
Base Width	1 1/2"		
Thickness	.125"		
Style	flat		
Comment			

Part #	M-3930-A		
Desc.	MASTER CYLINDER RESERVOIR MOUNT TAB		
Material	4130	Back to Image	
Hole Size A	.750"		
Hole Size B			
Hole Size C			
Base Width	1 1/8"		
Thickness	.125"		
Style	flat		
Comment			

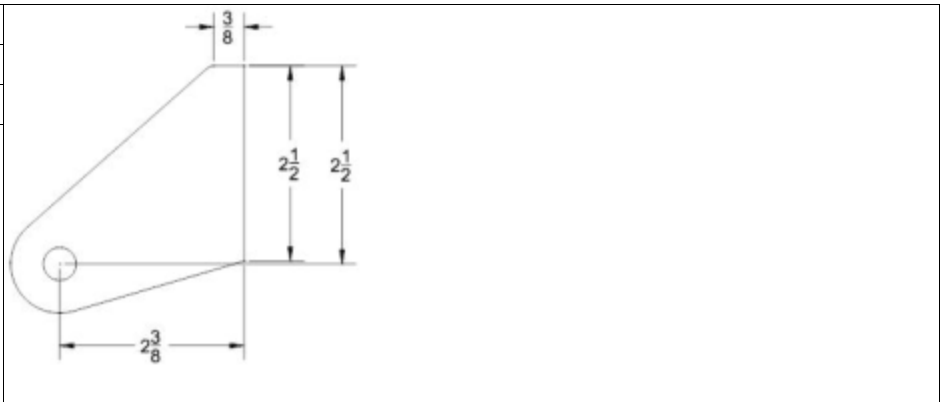
Part #	M-3941-A		
Desc.	MASTER CYLINDER SUPPORT TAB (INLINE ST RANGE)		
Material	4130	Back to Image	
Hole Size A	.375"		
Hole Size B			
Hole Size C			
Base Width	1 9/16"		
Thickness	.125"		
Style	flat		
Comment			

Part #	M-73		
Desc.	WHEELIE BAR STRUT TAB		
Material	4130	Back to Image	
Hole Size A	.250"		
Hole Size B			
Hole Size C			
Base Width	1 1/8"		
Thickness	.188"		
Style	flat		
Comment			

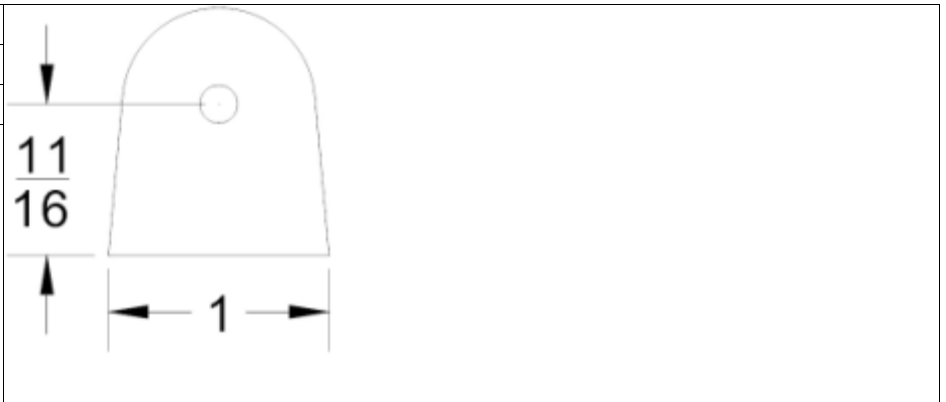
Part #	M-4266	
Desc.	ANGLE BLOCK TAB	
Material	4130	Back to Image
Hole Size A	.250"	
Hole Size B		
Hole Size C		
Base Width	1 1/4"	
Thickness	.125"	
Style	flat	
Comment		



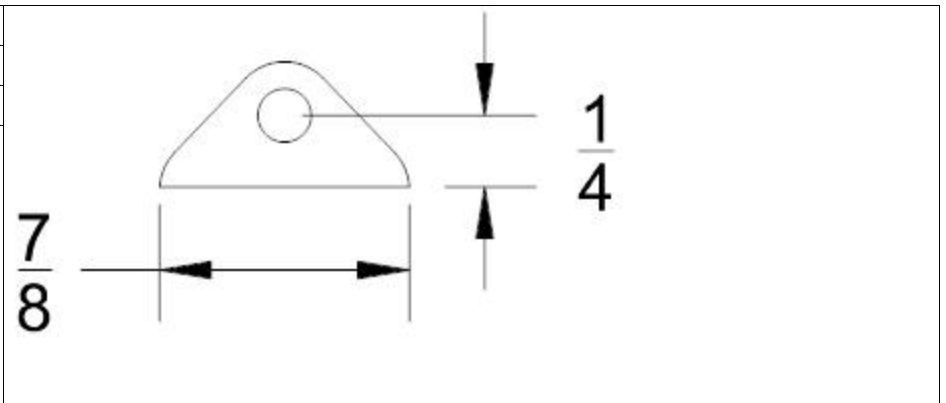
Part #	M-228-D	
Desc.	STA ROD TAB (T/F OUTER)	
Material	4130	Back to Image
Hole Size A	.4735"	
Hole Size B		
Hole Size C		
Base Width	2 1/2"	
Thickness	.125"	
Style	flat	
Comment		



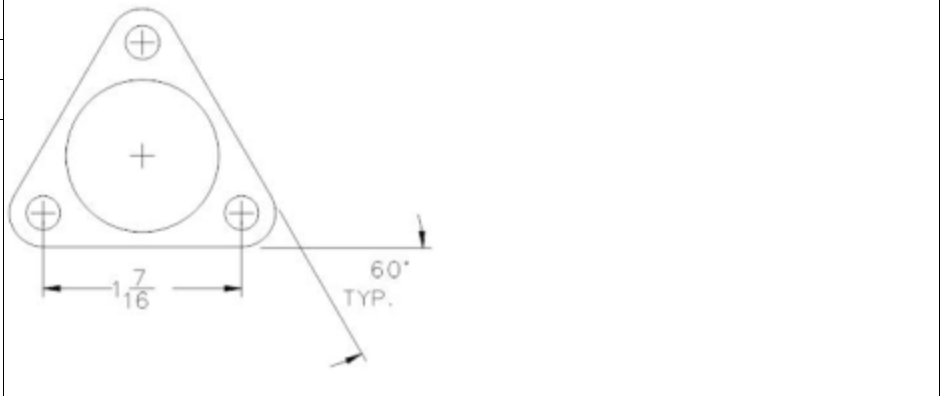
Part #	M-5-E	
Desc.	UNIVERSAL TAB	
Material	4130	Back to Image
Hole Size A	.190"	
Hole Size B		
Hole Size C		
Base Width	1"	
Thickness	.125"	
Style	flat	
Comment		



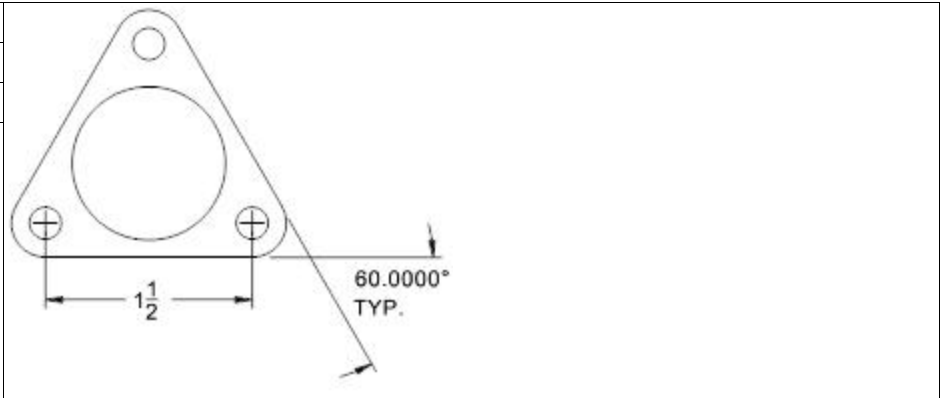
Part #	M-51-C	
Desc.	STEERING OUTPUT SHAFT SUPPORT TAB	
Material	4130	Back to Image
Hole Size A	.1875"	
Hole Size B		
Hole Size C		
Base Width	7/8"	
Thickness	.125"	
Style	flat	
Comment		



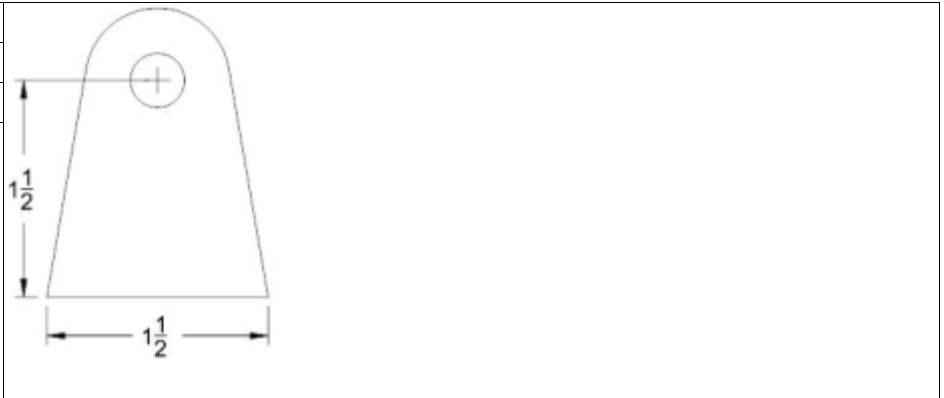
Part #	M-54	
Desc.	STEERING BOX COLUMN TAB (P&S)	
Material	4130	Back to Image
Hole Size A	.250"	
Hole Size B	1 1/8"	
Hole Size C		
Base Width	N/A	
Thickness	.125"	
Style	flat	
Comment		



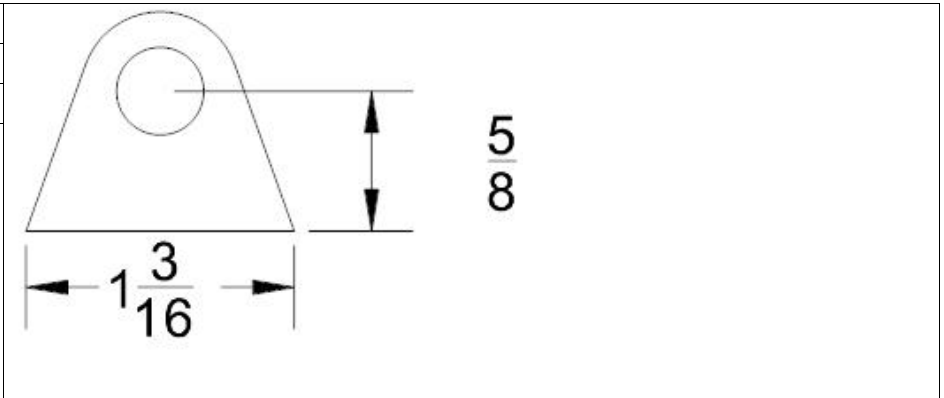
Part #	M-54-A	
Desc.	STEERING BOX COLUMN TAB (SPE)	
Material	4130	Back to Image
Hole Size A	.250"	
Hole Size B	1 1/8"	
Hole Size C		
Base Width	N/A	
Thickness	.125"	
Style	flat	
Comment		



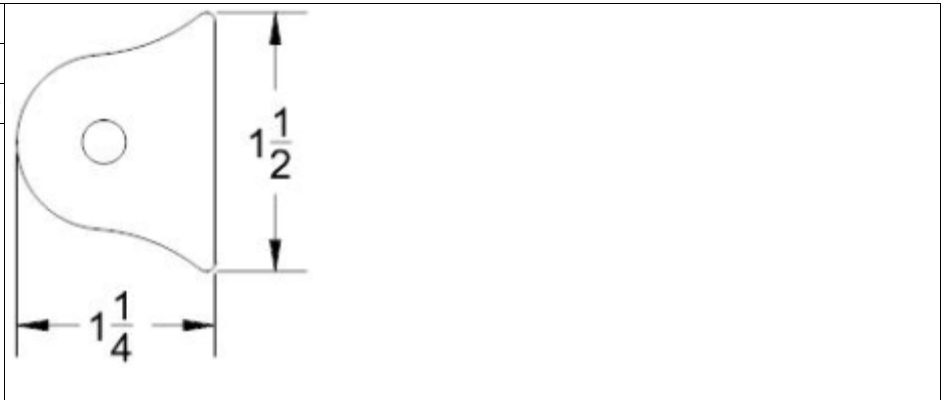
Part #	M-10-C	
Desc.	REAR TREE TAB	
Material	4130	Back to Image
Hole Size A	.375"	
Hole Size B		
Hole Size C		
Base Width	1 1/2"	
Thickness	.125"	
Style	flat	
Comment	Available in Tia. M-10-C	



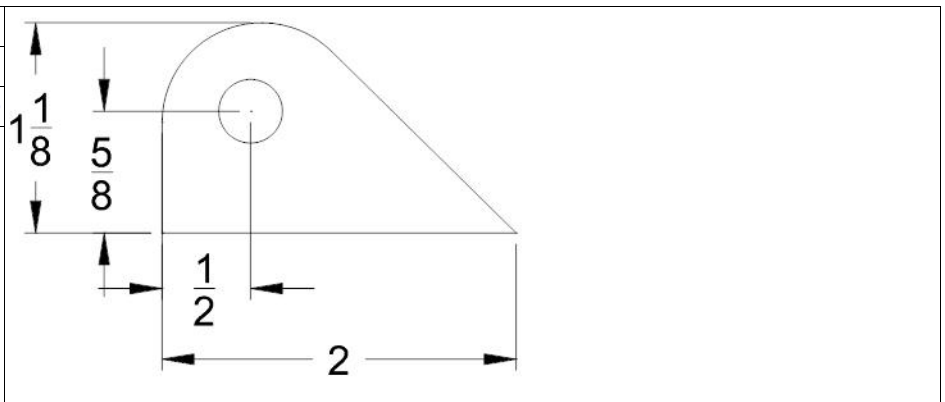
Part #	M-60	
Desc.	BRAKE LINE TAB (FRONT)	
Material	4130	Back to Image
Hole Size A	.375"	
Hole Size B		
Hole Size C		
Base Width	1 1/8"	
Thickness	.090"	
Style	flat	
Comment		



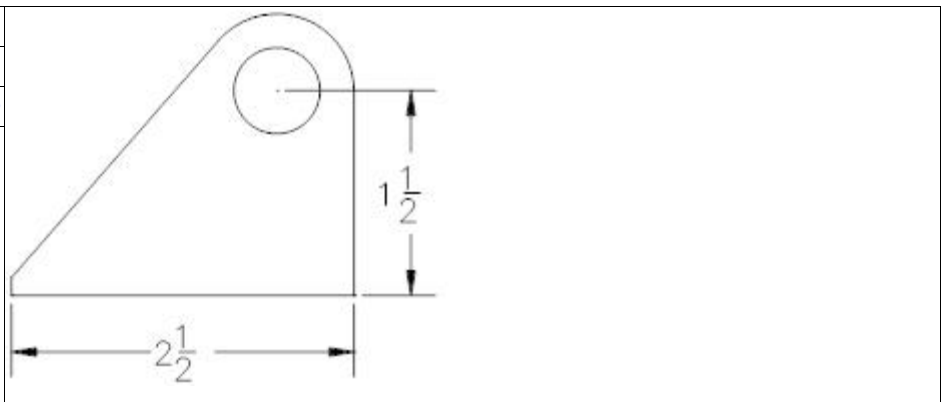
Part #	TF-399-B	
Desc.	TF-399 DIAGONAL TAB	
Material	4130	Back to Image
Hole Size A	.250"	
Hole Size B		
Hole Size C		
Base Width	1.48"	
Thickness	.125"	
Style	flat	
Comment		



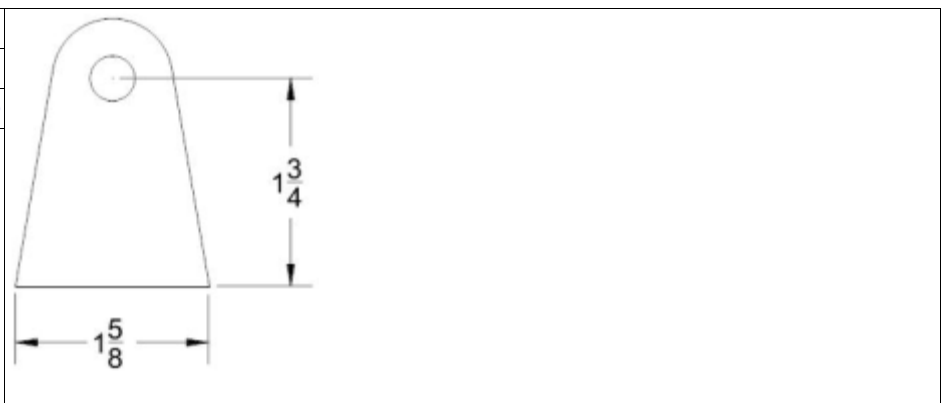
Part #	M-4	
Desc.	BELLHOUSING / WHEELIE BAR TAB	
Material	4130	Back to Image
Hole Size A	.375"	
Hole Size B		
Hole Size C		
Base Width	2"	
Thickness	.188"	
Style	flat	
Comment		



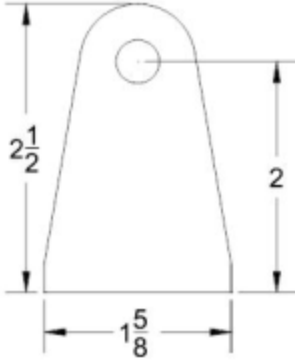
Part #	M-176-C	
Desc.	REAR SEAT TUBE TAB	
Material	4130	Back to Image
Hole Size A	.625"	
Hole Size B		
Hole Size C		
Base Width	2 1/2"	
Thickness	.125"	
Style	flat	
Comment		




Part #	M-10-C1	
Desc.	REAR TREE TAB	
Material	4130	Back to Image
Hole Size A	.375"	
Hole Size B		
Hole Size C		
Base Width	1 5/8"	
Thickness	.125"	
Style	flat	
Comment		



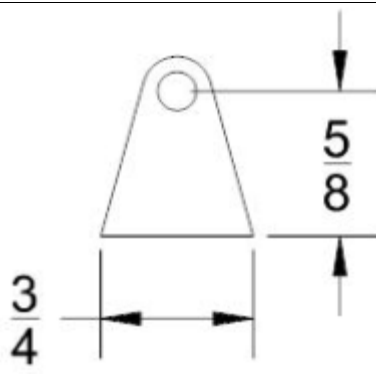
Part #	M-10-C2	
Desc.	REAR TREE TAB	
Material	4130	Back to Image
Hole Size A	.375"	
Hole Size B		
Hole Size C		
Base Width	1 5/8"	
Thickness	.125"	
Style	flat	
Comment		



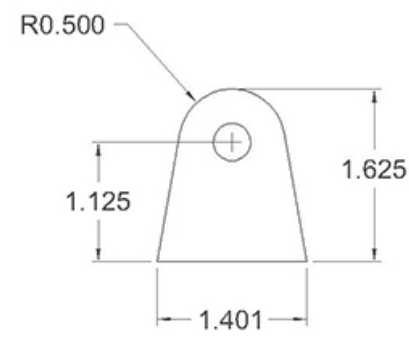
Part #	M-10-E	
Desc.	UNIVERSAL TAB (TALL)	
Material	4130	Back to Image
Hole Size A	.250"	
Hole Size B		
Hole Size C		
Base Width	1 1/2"	
Thickness	.125"	
Style	flat	
Comment		



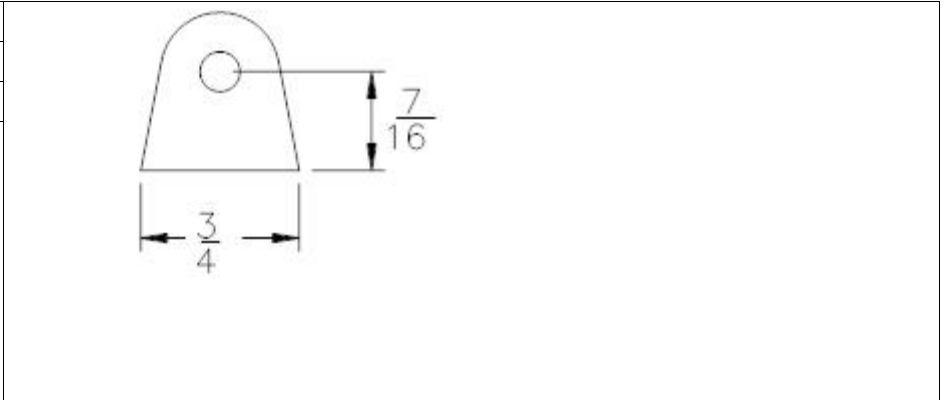
Part #	M-115-S2	
Desc.	CHUTE LEVER MOUNT TAB	
Material	4130	Back to Image
Hole Size A	.1875"	
Hole Size B		
Hole Size C		
Base Width	.625"	
Thickness	.090"	
Style	flat	
Comment		



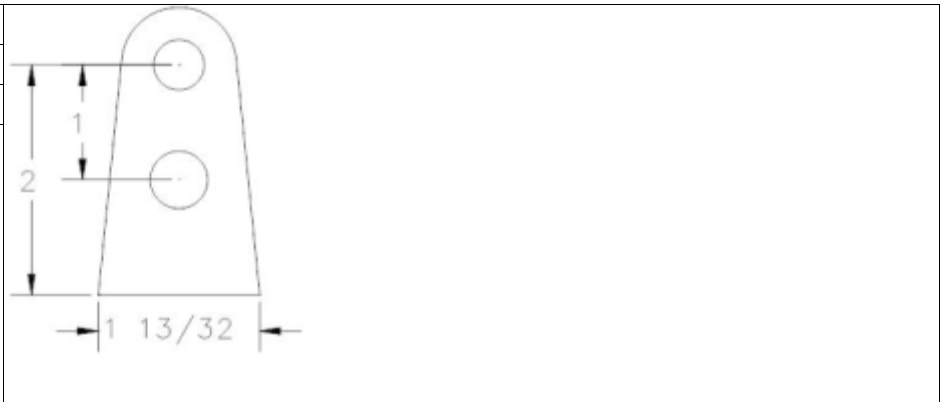
Part #	FC-582-A	
Desc.	REAR TREE FIRE BOTTLE HEAD ASSY TAB	
Material	4130	Back to Image
Hole Size A	.360"	
Hole Size B		
Hole Size C		
Base Width	1.40"	
Thickness	.125"	
Style	flat	
Comment		



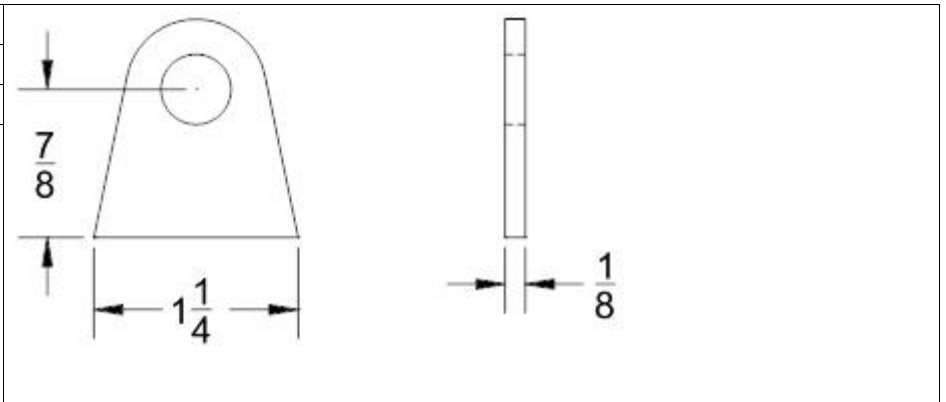
Part #	M-146-B2	
Desc.	SPOILER TAB (SHORT TAB)	
Material	4130	Back to Image
Hole Size A	.1875"	
Hole Size B		
Hole Size C		
Base Width	.750"	
Thickness	.090"	
Style	flat	
Comment		



Part #	M-148-G	
Desc.	BRAKE HANDLE MOUNT TAB	
Material	4130	Back to Image
Hole Size A	.4735"	
Hole Size B		
Hole Size C		
Base Width	1 1/2"	
Thickness	.125"	
Style	flat	
Comment		



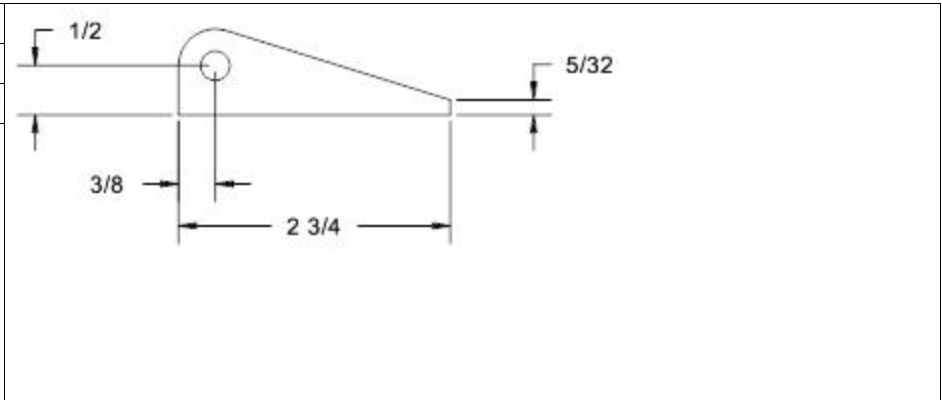
Part #	M-266-C	
Desc.	BELLCRANK PIVOT TAB	
Material	4130	Back to Image
Hole Size A	.4735"	
Hole Size B		
Hole Size C		
Base Width	1.272"	
Thickness	.125"	
Style	flat	
Comment		



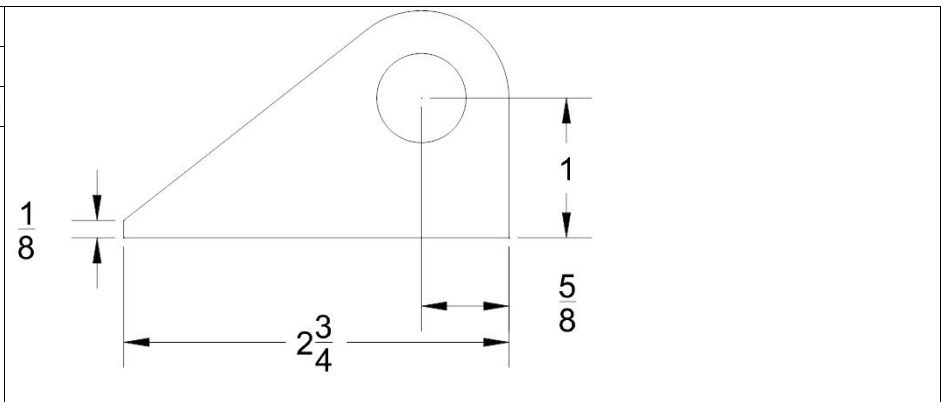
Part #	M-149-T1	
Desc.	COIL MOUNT TAB	
Material	4130	Back to Image
Hole Size A	.250"	
Hole Size B		
Hole Size C		
Base Width	7/8"	
Thickness	.125"	
Style	flat	
Comment		



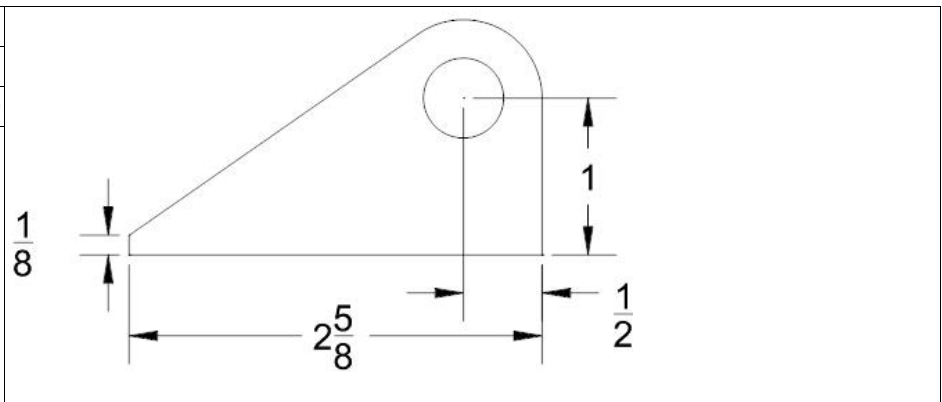
Part #	M-229	
Desc.	WINGSTAND TAB (ADJUSTER TUBE MOUNT)	
Material	4130	Back to Image
Hole Size A	.3125"	
Hole Size B		
Hole Size C		
Base Width	2 3/4"	
Thickness	.190"	
Style	flat	
Comment		



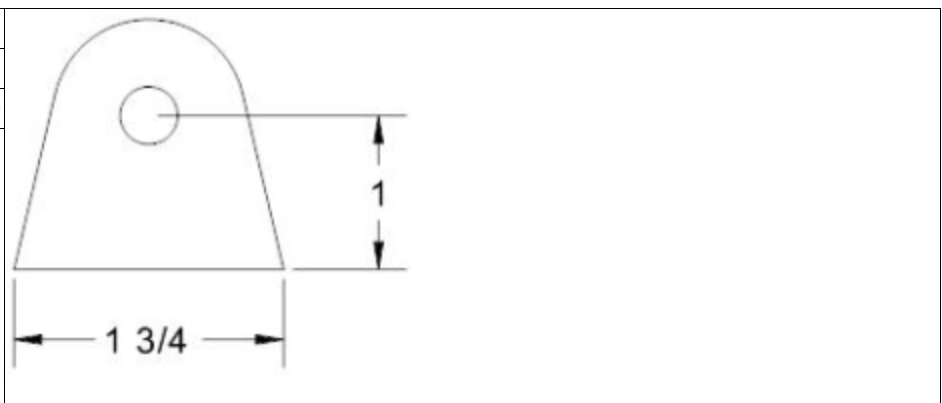
Part #	M-18	
Desc.	PRO-JACK TAB (REAR)	
Material	4130	Back to Image
Hole Size A	.625"	
Hole Size B		
Hole Size C		
Base Width	2 3/4"	
Thickness	.125"	
Style	flat	
Comment		



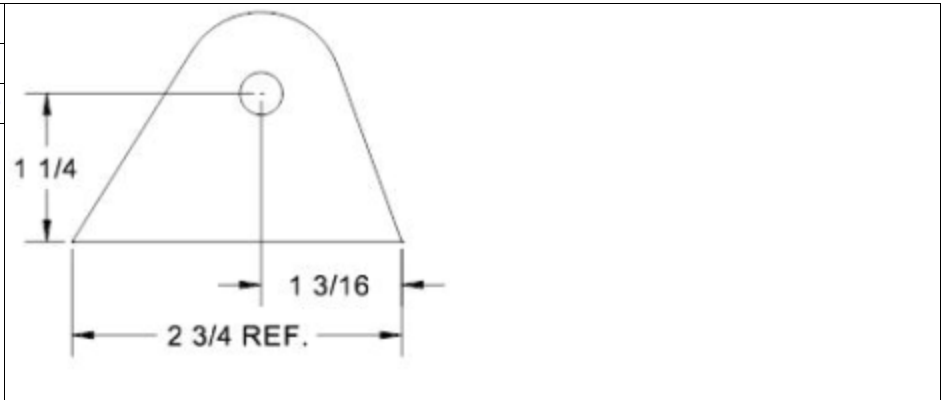
Part #	M-18-A	
Desc.	PRO-JACK TAB (FRONT)	
Material	4130	Back to Image
Hole Size A	.500"	
Hole Size B		
Hole Size C		
Base Width	2 5/8"	
Thickness	.125"	
Style	flat	
Comment		



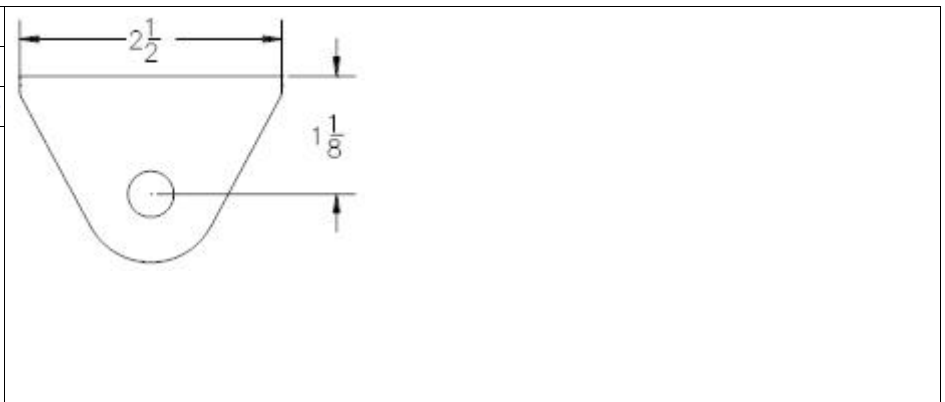
Part #	M-2022	
Desc.	BLOW BACK TAB	
Material	4130	Back to Image
Hole Size A	.375"	
Hole Size B		
Hole Size C		
Base Width	1 3/4"	
Thickness	.125"	
Style	flat	
Comment		



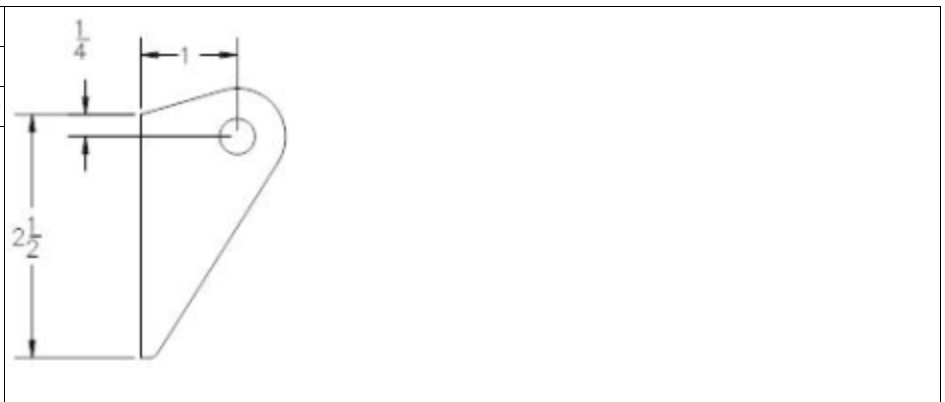
Part #	M-226	
Desc.	STA ROD CHASSIS TAB	
Material	4130	Back to Image
Hole Size A	.375"	
Hole Size B		
Hole Size C		
Base Width	2 3/4"	
Thickness	.125"	
Style	flat	
Comment		



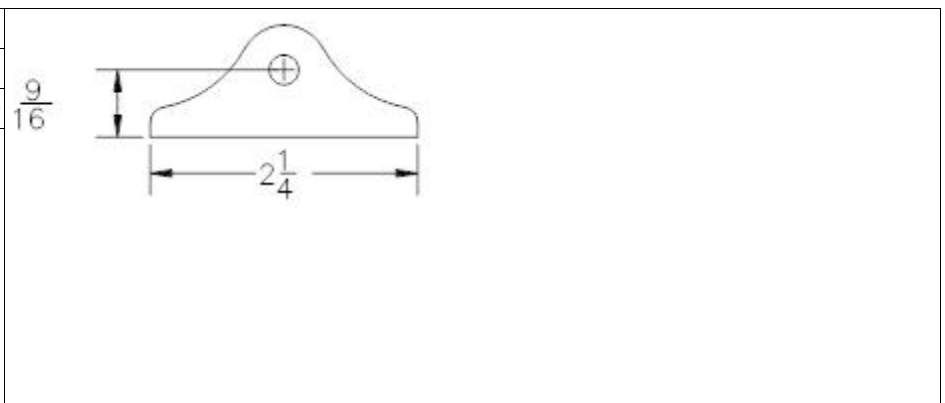
Part #	M-226-D	
Desc.	WINGSTAND BOTTOM MOUNT TAB (ALCOHO	
Material	4130	Back to Image
Hole Size A	.440"	
Hole Size B		
Hole Size C		
Base Width	2 1/2"	
Thickness	.188"	
Style	flat	
Comment		

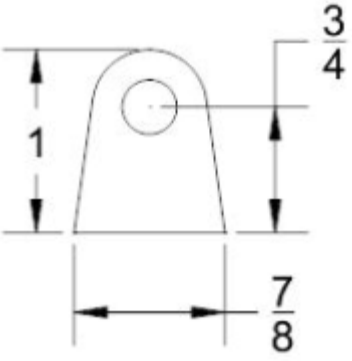


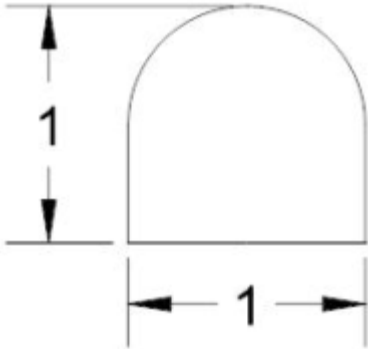
Part #	M-228	
Desc.	WINGSTAND CENTER STA ROD TAB	
Material	4130	Back to Image
Hole Size A	.375"	
Hole Size B		
Hole Size C		
Base Width	2 1/2"	
Thickness	.188"	
Style	flat	
Comment		

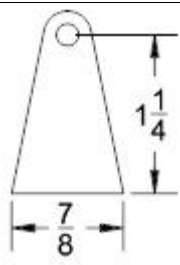


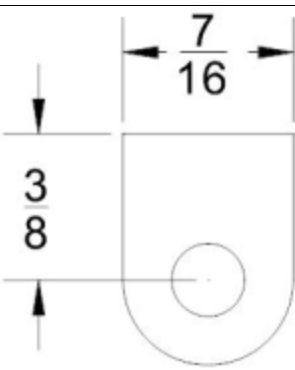
Part #	M-72	
Desc.	WHEELIE BAR STRUT TAB	
Material	4130	Back to Image
Hole Size A	.250"	
Hole Size B		
Hole Size C		
Base Width	2"	
Thickness	.125"	
Style	flat	
Comment		

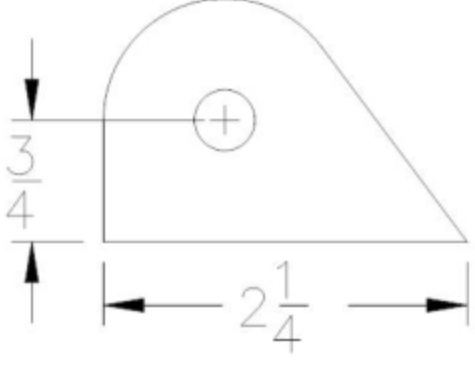


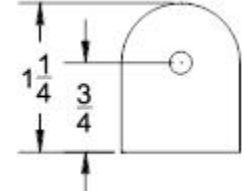
Part #	M-149-T		
Desc.	COIL MOUNT TAB		
Material	4130	Back to Image	
Hole Size A	.3125"		
Hole Size B			
Hole Size C			
Base Width	.750"		
Thickness	.125"		
Style	flat		
Comment			

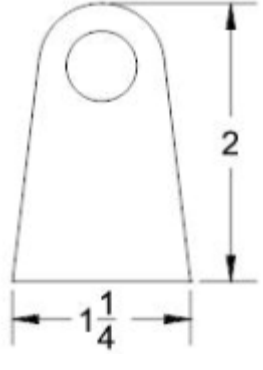
Part #	SPL-320		
Desc.	COMPUTER BOX TAB		
Material	4130	Back to Image	
Hole Size A	N/A		
Hole Size B			
Hole Size C			
Base Width	N/A		
Thickness	.090"		
Style	flat		
Comment			

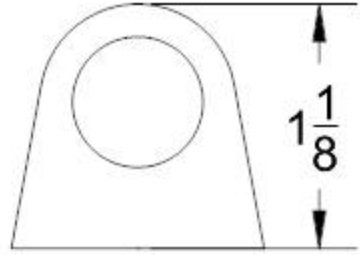
Part #	M-73-A		
Desc.	CABEL TAB (TALL)		
Material	4130	Back to Image	
Hole Size A	.190"		
Hole Size B			
Hole Size C			
Base Width	7/8"		
Thickness	.090"		
Style	flat		
Comment			

Part #	FC-675		
Desc.	WIRE TAB (P-TANK)		
Material	4130	Back to Image	
Hole Size A	.1875"		
Hole Size B			
Hole Size C			
Base Width	.4735"		
Thickness	.063"		
Style	flat		
Comment			

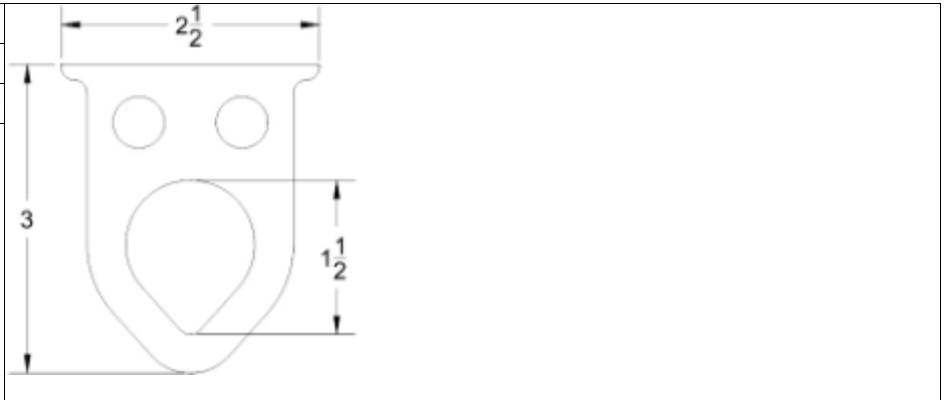
Part #	M-6		
Desc.	BLOW BACK TAB		
Material	4130	Back to Image	
Hole Size A	.375"		
Hole Size B			
Hole Size C			
Base Width	2 1/4"		
Thickness	.188"		
Style	flat		
Comment			

Part #	SPL-195		
Desc.	COMPUTER BOX TAB		
Material	4130	Back to Image	
Hole Size A	.188"		
Hole Size B			
Hole Size C			
Base Width	N/A		
Thickness	.090"		
Style	flat		
Comment			

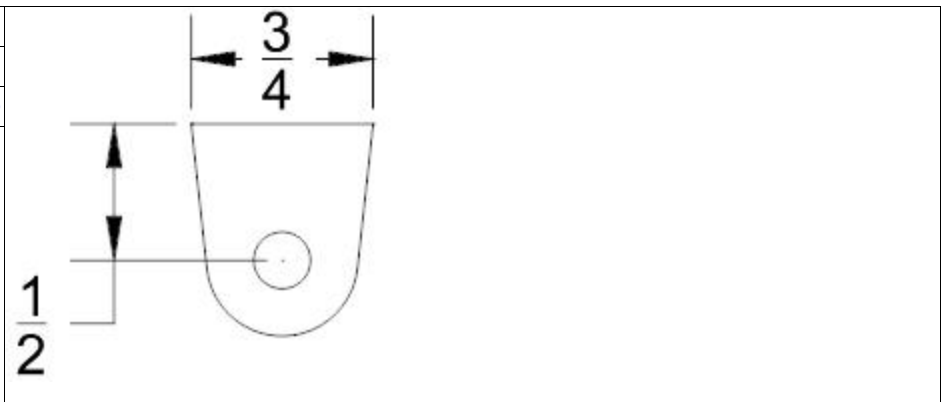
Part #	SPL-196		
Desc.	P-TANK RD FRONT MOUNT TAB		
Material	4130	Back to Image	
Hole Size A	.505"		
Hole Size B			
Hole Size C			
Base Width	1.235"		
Thickness	.125"		
Style	flat		
Comment			

Part #	SPL-207-A		
Desc.	DETENT BUSHING TAB		
Material	4130	Back to Image	
Hole Size A	.625"		
Hole Size B			
Hole Size C			
Base Width	N/A		
Thickness	.125"		
Style	flat		
Comment			

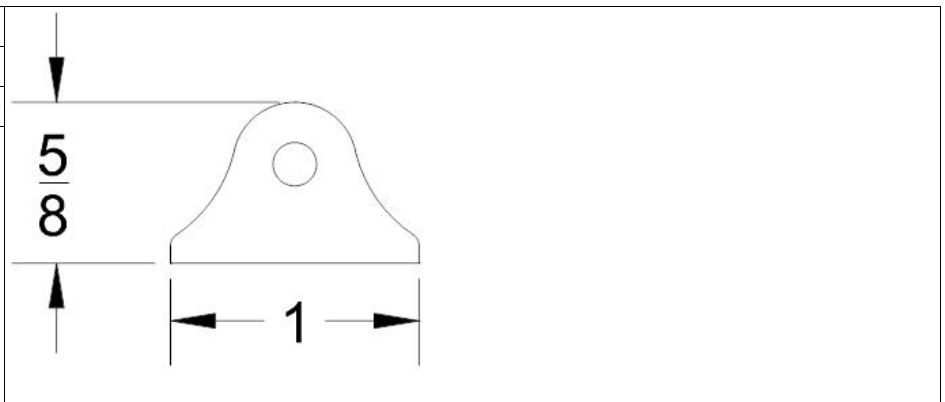
Part #	FC-496	
Desc.	TOW TAB (F/C CROSS TUBE)	
Material	4130	Back to Image
Hole Size A	.192"	
Hole Size B		
Hole Size C		
Base Width	1"	
Thickness	.190"	
Style	flat	
Comment		



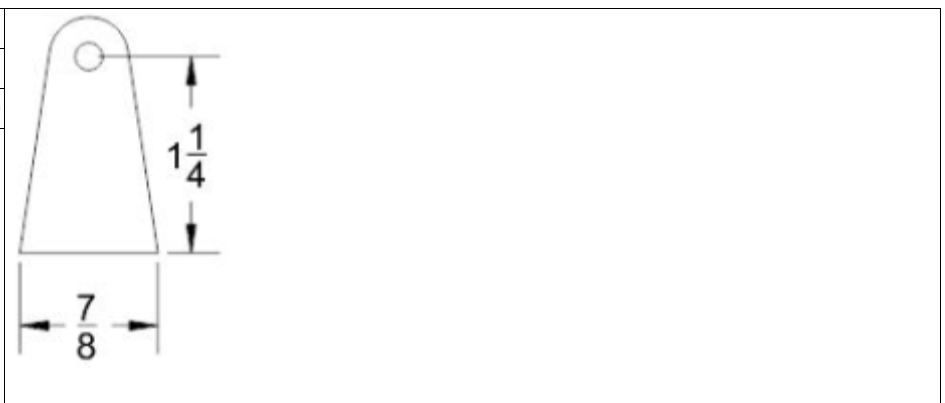
Part #	SPL-269	
Desc.	AIR BOTTLE TAB	
Material	4130	Back to Image
Hole Size A	.250"	
Hole Size B		
Hole Size C		
Base Width	.750"	
Thickness	.125"	
Style	flat	
Comment		



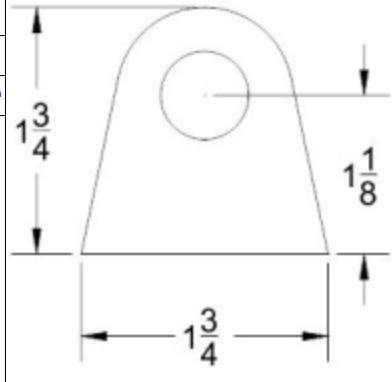
Part #	FC-596	
Desc.	TANK MOUNTING TAB (SINGLE)	
Material	4130	Back to Image
Hole Size A	.192"	
Hole Size B		
Hole Size C		
Base Width	1"	
Thickness	.190"	
Style	flat	
Comment		



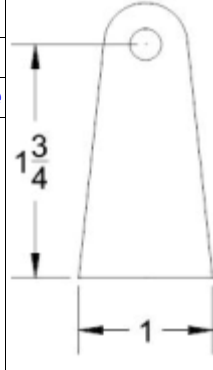
Part #	SPL-429	
Desc.	UNIVERSAL TAB	
Material	4130	Back to Image
Hole Size A	.190"	
Hole Size B		
Hole Size C		
Base Width	7/8"	
Thickness	.090"	
Style	flat	
Comment		



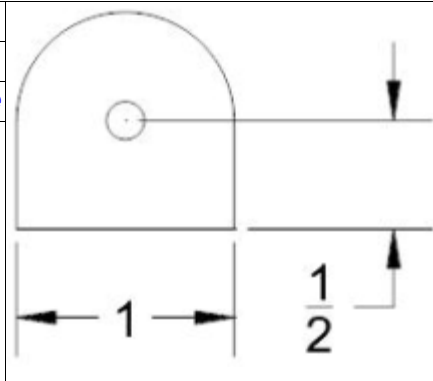
Part #	SPL-465	
Desc.	TOOLING TAB	
Material	4130	Back to Image
Hole Size A	.625"	
Hole Size B		
Hole Size C		
Base Width	1 3/4"	
Thickness	.190"	
Style	flat	
Comment		



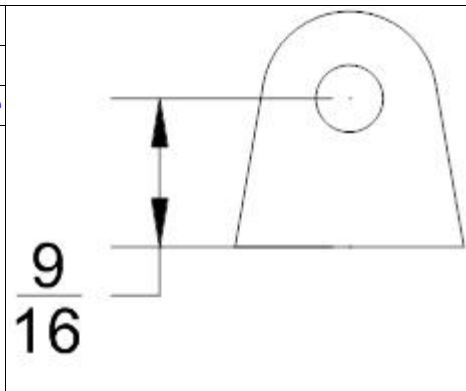
Part #	SPL-470	
Desc.	UNIVERSAL TAB	
Material	4130	Back to Image
Hole Size A	.250"	
Hole Size B		
Hole Size C		
Base Width	1"	
Thickness	.090"	
Style	flat	
Comment		

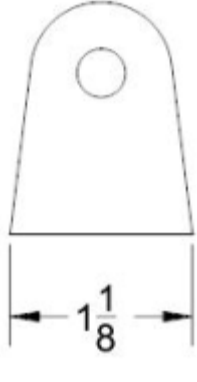


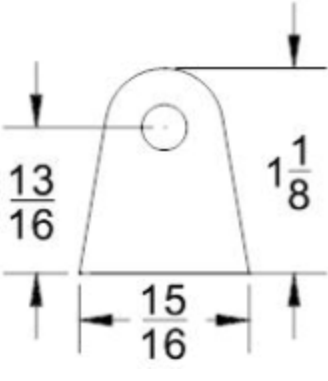
Part #	SPL-48	
Desc.	COMPUTER BOX TAB	
Material	4130	Back to Image
Hole Size A	.190"	
Hole Size B		
Hole Size C		
Base Width	1"	
Thickness	.090"	
Style	flat	
Comment		

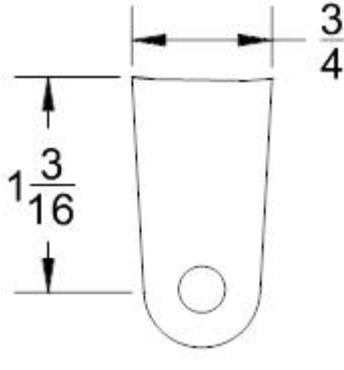


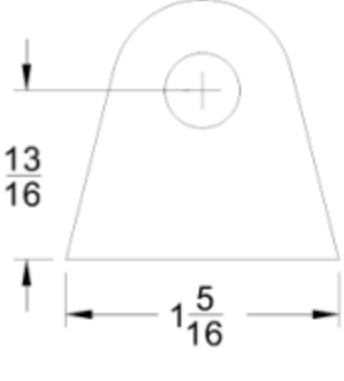
Part #	SPL-49	
Desc.	FRESH AIR BOTTLE TAB	
Material	4130	Back to Image
Hole Size A	.250"	
Hole Size B		
Hole Size C		
Base Width	N/A	
Thickness	.090"	
Style	flat	
Comment		



Part #	TF-192		
Desc.	FRONT WING (INNER REAR ADJUSTER TAB)		
Material	4130	Back to Image	
Hole Size A	.314"		
Hole Size B			
Hole Size C			
Base Width	1 1/8"		
Thickness	.125"		
Style	flat		
Comment			

Part #	TF-397		
Desc.	MANAGEMENT BOX TAB		
Material	4130	Back to Image	
Hole Size A	.250"		
Hole Size B			
Hole Size C			
Base Width	.9361"		
Thickness	.090"		
Style	flat		
Comment			

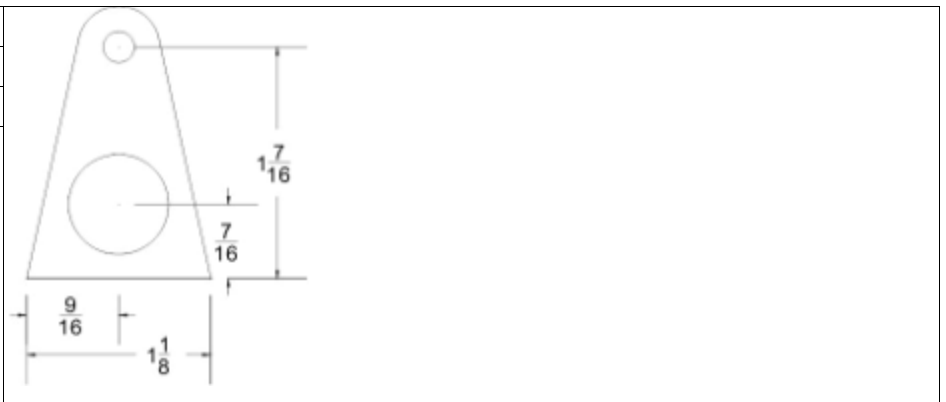
Part #	SPL-212		
Desc.	DUST TUBE TAB		
Material	4130	Back to Image	
Hole Size A	.250"		
Hole Size B			
Hole Size C			
Base Width	N/A		
Thickness	.125"		
Style	flat		
Comment			

Part #	M-8		
Desc.	UNIVERSAL TAB		
Material	4130	Back to Image	
Hole Size A	.375"		
Hole Size B			
Hole Size C			
Base Width	1 3/16"		
Thickness	.188"		
Style	flat		
Comment			

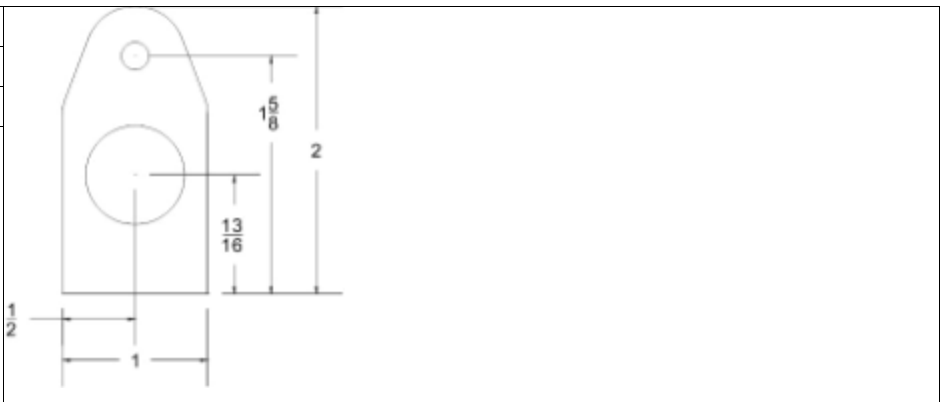
Part #	M-73-B	
Desc.	CABLE TAB (SHORT)	
Material	4130	Back to Image
Hole Size A	.1875"	
Hole Size B		
Hole Size C		
Base Width	7/8"	
Thickness	.090"	
Style	flat	
Comment		



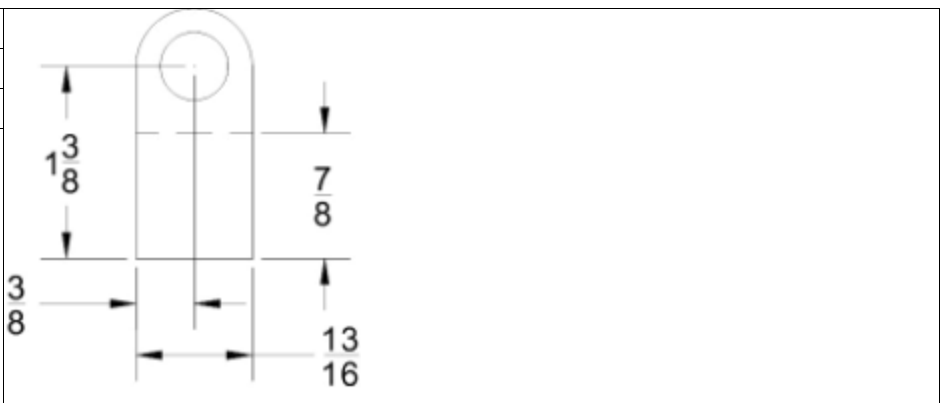
Part #	FC-373	
Desc.	COMPUTER MOUNT TAB B	
Material	4130	Back to Image
Hole Size A	.190"	
Hole Size B	.6111"	
Hole Size C		
Base Width	1 1/8"	
Thickness	.090"	
Style	flat	
Comment		



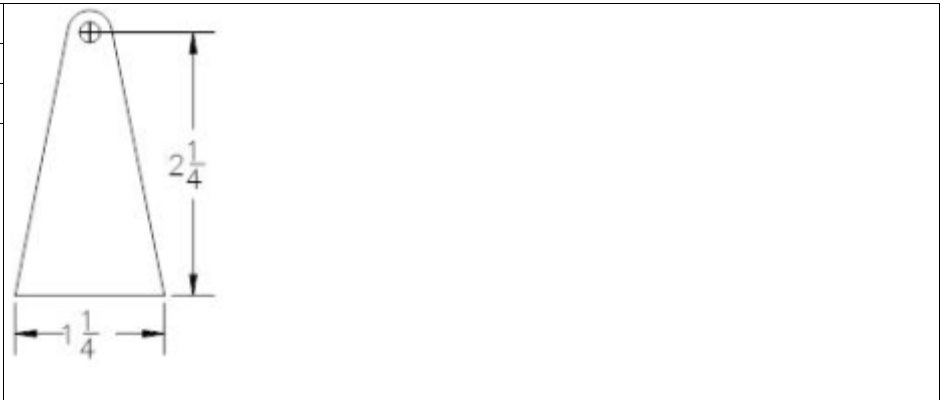
Part #	FC-370	
Desc.	MSD MOUNT TAB	
Material	4130	Back to Image
Hole Size A	.190"	
Hole Size B	.6819"	
Hole Size C		
Base Width	1"	
Thickness	.125"	
Style	flat	
Comment		



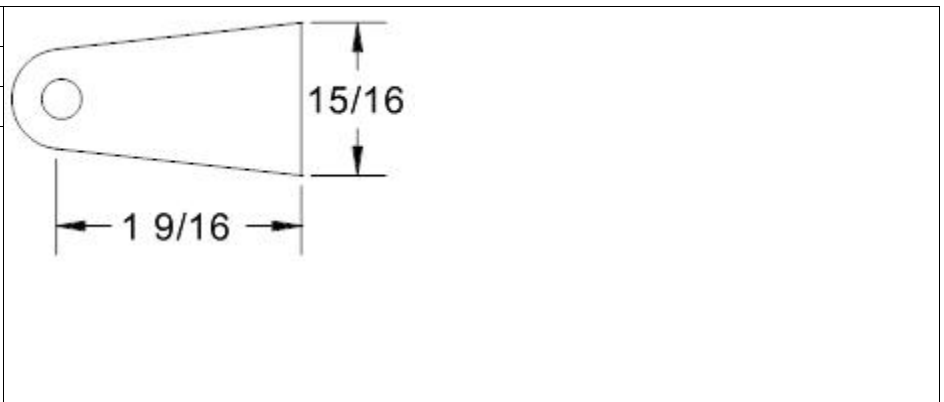
Part #	FC-367	
Desc.	THROTTLE STOP TAB	
Material	4130	Back to Image
Hole Size A	.475"	
Hole Size B		
Hole Size C		
Base Width	.8125"	
Thickness	.125"	
Style	flat	
Comment		



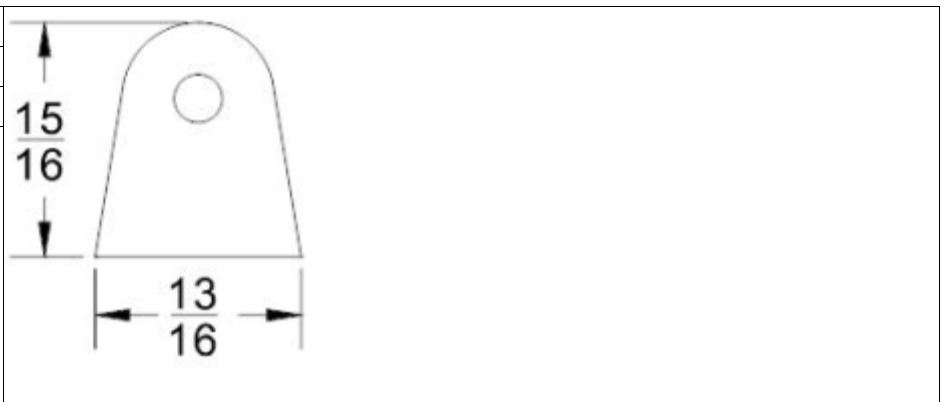
Part #	M-73-C	
Desc.	CABLE TAB (TALL CHUTE)	
Material	4130	Back to Image
Hole Size A	.1875"	
Hole Size B		
Hole Size C		
Base Width	1 1/4"	
Thickness	.090"	
Style	flat	
Comment		



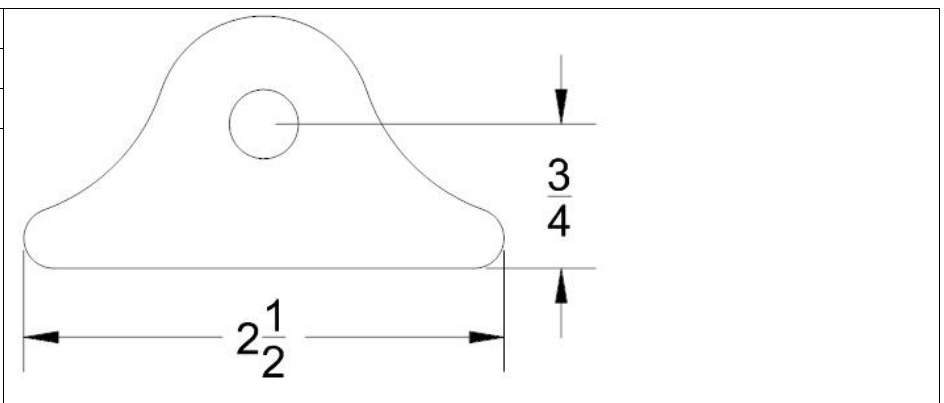
Part #	FC-199	
Desc.	AIR BOTTLE TAB (FORCE)	
Material	4130	Back to Image
Hole Size A	.250"	
Hole Size B		
Hole Size C		
Base Width	N/A	
Thickness	.125"	
Style	flat	
Comment		

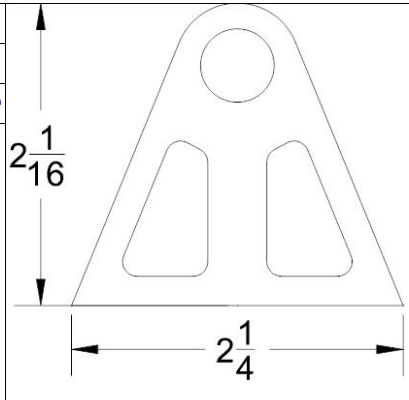


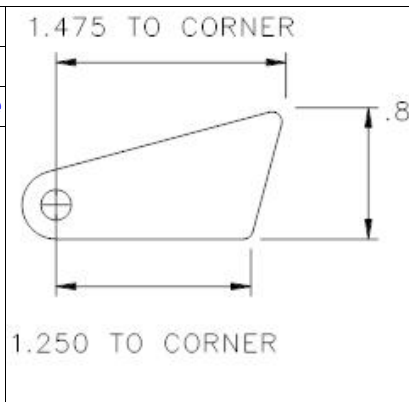
Part #	M-73-D	
Desc.	UNIVERSAL TAB	
Material	4130	Back to Image
Hole Size A	.1875"	
Hole Size B		
Hole Size C		
Base Width	.8125	
Thickness	.090"	
Style	flat	
Comment		

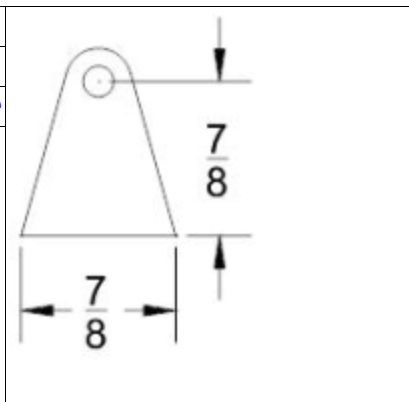


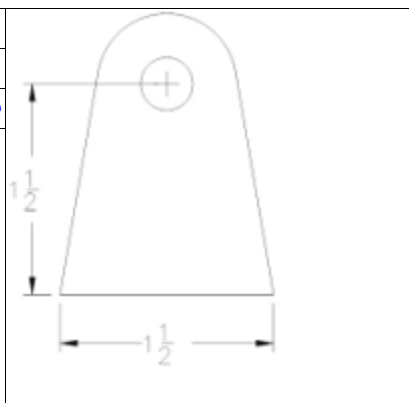
Part #	M-8-A	
Desc.	UNIVERSAL TAB	
Material	4130	Back to Image
Hole Size A	.375"	
Hole Size B		
Hole Size C		
Base Width	2 1/2"	
Thickness	.188"	
Style	flat	
Comment		



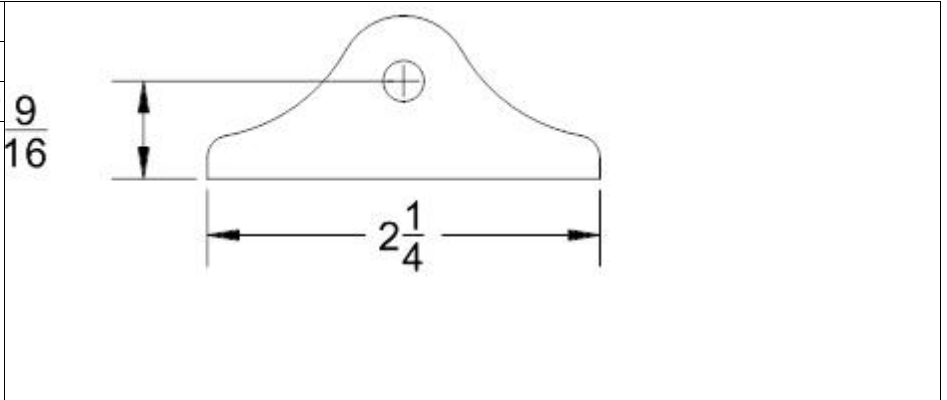
Part #	FC-414		
Desc.	THROTTLE TAB (OUTER)		
Material	4130	Back to Image	
Hole Size A	.500"		
Hole Size B			
Hole Size C			
Base Width	2 1/4"		
Thickness	.090"		
Style	flat		
Comment			

Part #	M-76		
Desc.	ESCAPE HATCH LATCH TAB		
Material	4130	Back to Image	
Hole Size A	.195"		
Hole Size B			
Hole Size C			
Base Width	.8125		
Thickness	.063"		
Style	flat		
Comment			

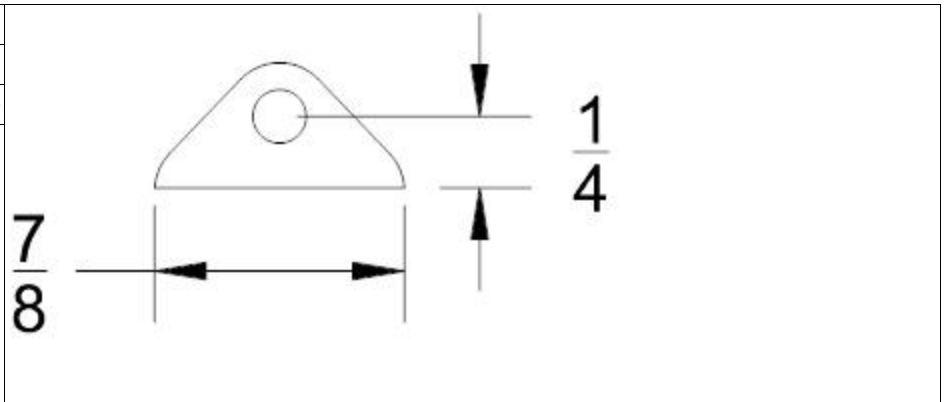
Part #	M-73-BT		
Desc.	CABLE TAB (SHORT)		
Material	6-4 Ti	Back to Image	
Hole Size A	.190"		
Hole Size B			
Hole Size C			
Base Width	7/8"		
Thickness	.090"		
Style	flat		
Comment			

Part #	M-10-CT		
Desc.	REAR TREE TAB		
Material	6-4 Ti	Back to Image	
Hole Size A	.375"		
Hole Size B			
Hole Size C			
Base Width	1 1/2"		
Thickness	.125"		
Style	flat		
Comment			

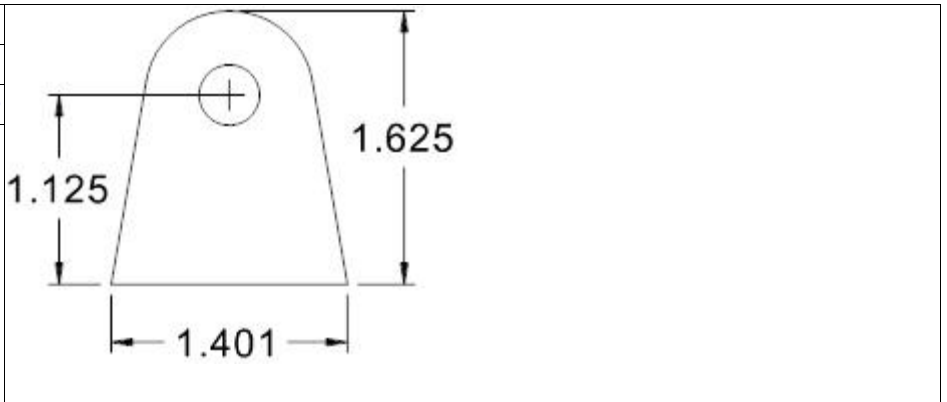
Part #	M-73-TI	
Desc.	WHEELIE BAR STUT TAB	
Material	6-4 Ti	Back to Image
Hole Size A	.250"	
Hole Size B		
Hole Size C		
Base Width	2 1/4"	
Thickness	.190"	
Style	flat	
Comment		



Part #	M-51-CT	
Desc.	STEERING OUTPUT SHAFT SUPPORT TAB	
Material	6-4 Ti	Back to Image
Hole Size A	.1875"	
Hole Size B		
Hole Size C		
Base Width	7/8"	
Thickness	.125"	
Style	flat	
Comment		



Part #	FC-582	
Desc.	REAR TREE FIRE BOTTLE HEAD ASSY TAB	
Material	6-4 Ti	Back to Image
Hole Size A	.375"	
Hole Size B		
Hole Size C		
Base Width	1.401"	
Thickness	.125"	
Style	flat	
Comment		



Part #	M-149-TIT	
Desc.	COIL MOUNT TAB	
Material	6-4 Ti	Back to Image
Hole Size A	.250"	
Hole Size B		
Hole Size C		
Base Width	7/8"	
Thickness	.125"	
Style	flat	
Comment		



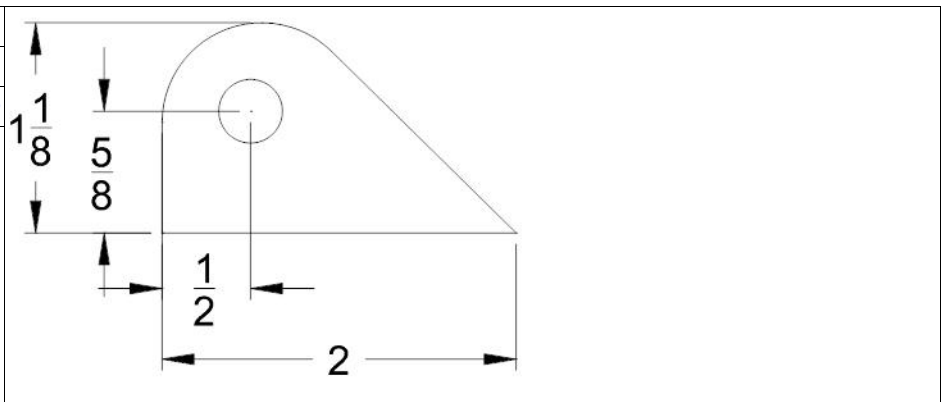
Part #	FC-182	
Desc.	TUBE LATCH SUPPORT TAB	
Material	6-4 Ti	Back to Image
Hole Size A	1"	
Hole Size B		
Hole Size C		
Base Width	2 1/4"	
Thickness	.125"	
Style	flat	
Comment		



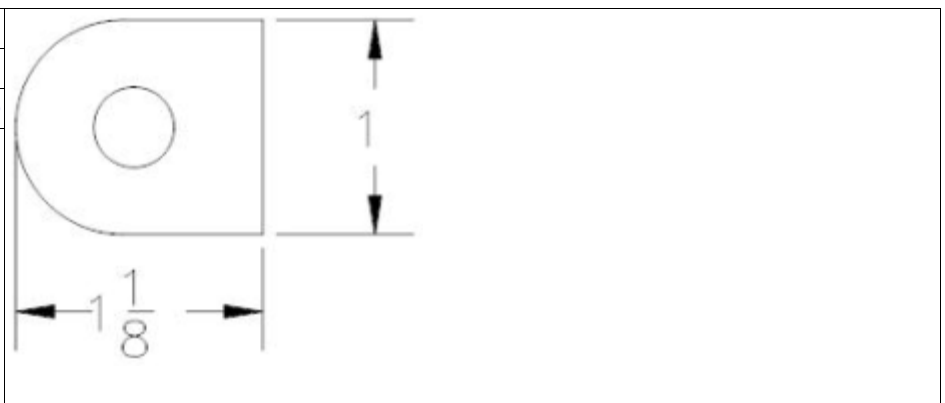
Part #	SPL-196-T	
Desc.	P-TANK RD FRONT MOUNT TAB	
Material	6-4 Ti	Back to Image
Hole Size A	.505"	
Hole Size B		
Hole Size C		
Base Width	N/A	
Thickness	.125"	
Style	flat	
Comment		



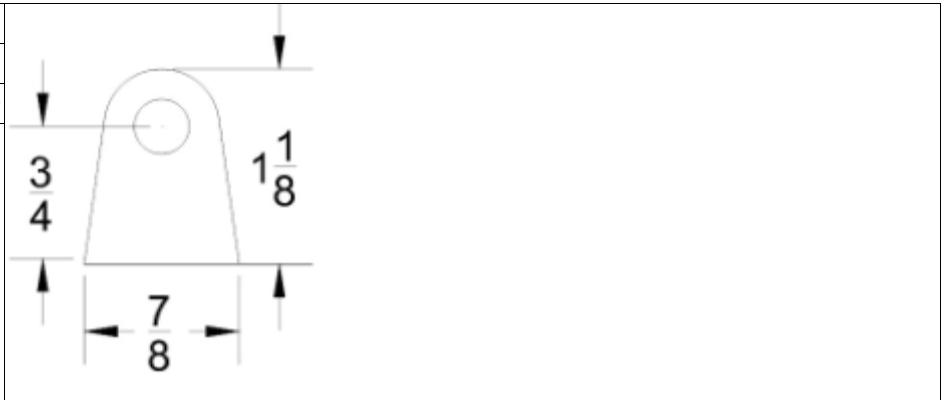
Part #	M-4-T	
Desc.	BELLHOUSING BLOW BACK TAB	
Material	6-4 Ti	Back to Image
Hole Size A	.375"	
Hole Size B		
Hole Size C		
Base Width	2"	
Thickness	.190"	
Style	flat	
Comment		



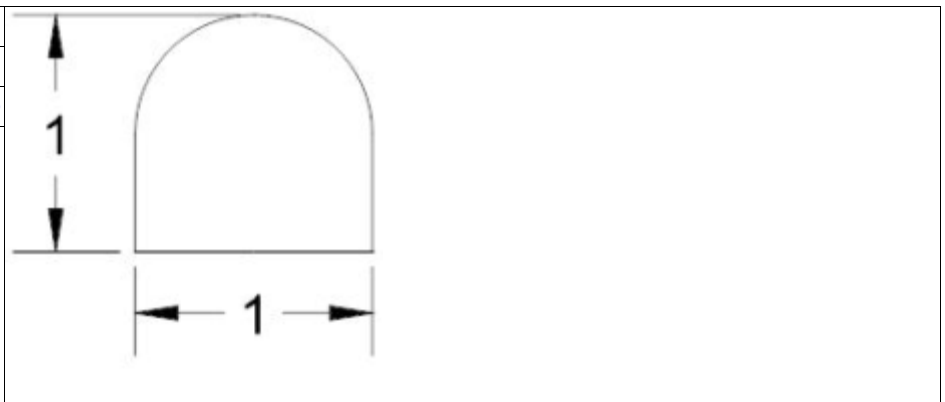
Part #	FC-223-B	
Desc.	1/2" SPADE BOLT TAB	
Material	6-4 Ti	Back to Image
Hole Size A	.375"	
Hole Size B		
Hole Size C		
Base Width	1"	
Thickness	.1875"	
Style	flat	
Comment		



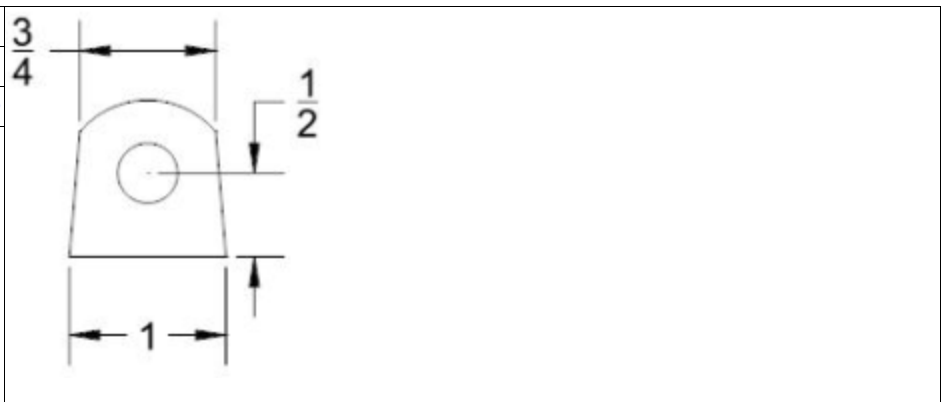
Part #	FC-581	
Desc.	REAR TREE FIRE BOTTLE CLAMP TAB	
Material	6-4 Ti	Back to Image
Hole Size A	.313"	
Hole Size B		
Hole Size C		
Base Width	.840"	
Thickness	.125"	
Style	flat	
Comment		



Part #	SPL-320-T	
Desc.	COMPUTER BOX TAB	
Material	Cp Gr2 Ti	Back to Image
Hole Size A	N/A	
Hole Size B		
Hole Size C		
Base Width	1"	
Thickness	.093"	
Style	flat	
Comment		



Part #	M-153-FTI	
Desc.	CLUTCH PEDAL STOP TAB	
Material	Cp Gr2 Ti	Back to Image
Hole Size A	.375"	
Hole Size B		
Hole Size C		
Base Width	1"	
Thickness	.125"	
Style	flat	
Comment		



Part #	SPL-348	
Desc.	HANDLE TAB	
Material	mild steel	Back to Image
Hole Size A	.500"	
Hole Size B		
Hole Size C		
Base Width	3"	
Thickness	.1875"	
Style	flat	
Comment		

