



Phone: (765)448-4800

FAX: (765) 448-4885

Parts Tech. Hotline: 1-800-542-3088

Misc Tab Chart

**Tabs sorted by Shape, Hole Size,
Material, Thickness and Part
Number**

**Click on any image to find out more information for that tab.
(You may go online to order any of these tabs through our E-catalog.
Make sure to connect to the internet before attempting the link below.)
E-catalog URL - <http://secure.mckinneycorp.com>**



FC - 173



FC - 282



FC - 344 - T



FC - 437



FC - 546



FC - 587



FC - 599 - B



FC - 661



M - 3 - A



M - 3 - F



M - 3 - G



M - 3 - G1



M - 3 - G2



M - 3 - S



M - 25 - RK



M - 25 - RP



M - 25 - T - RP



M - 26 - DA



M - 27



M - 27 - A

Click on any image to find out more information for that tab.
(You may go online to order any of these tabs through our E-catalog.
Make sure to connect to the internet before attempting the link below.)
E-catalog URL - <http://secure.mckinneycorp.com>



M - 79 - A



M - 87



M - 87 - T



M - 90



M - 98 - S1



M - 100 - A



M - 100 - ATI



M - 120 - B



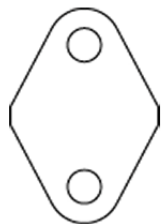
M - 130



M - 146 - A1



M - 146 - A2



M - 146 - B1



M - 174



M - 227



M - 228 - A



M - 229 - A



M - 229 - B



M - 235



M - 260 - M



M - 260 - MS

Click on any image to find out more information for that tab.
(You may go online to order any of these tabs through our E-catalog.
Make sure to connect to the internet before attempting the link below.)
E-catalog URL - <http://secure.mckinneycorp.com>



M - 3928



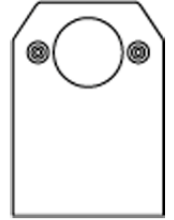
M - 4230



M - 4231



M - 4665



M - 4666



M - 6040 - A



SPL - 11



SPL - 11 - A



SPL - 50



SPL - 61



SPL - 62



SPL - 63



SPL - 63 - T



SPL - 143



SPL - 143 - T



SPL - 190



SPL - 256



SPL - 273



TF - 184



TF - 373

Click on any image to find out more information for that tab.
(You may go online to order any of these tabs through our E-catalog.
Make sure to connect to the internet before attempting the link below.)
E-catalog URL - <http://secure.mckinneycorp.com>



TF - 395



TF - 457



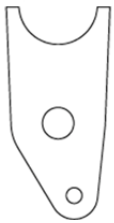
TF - 458



TF - 458 - A

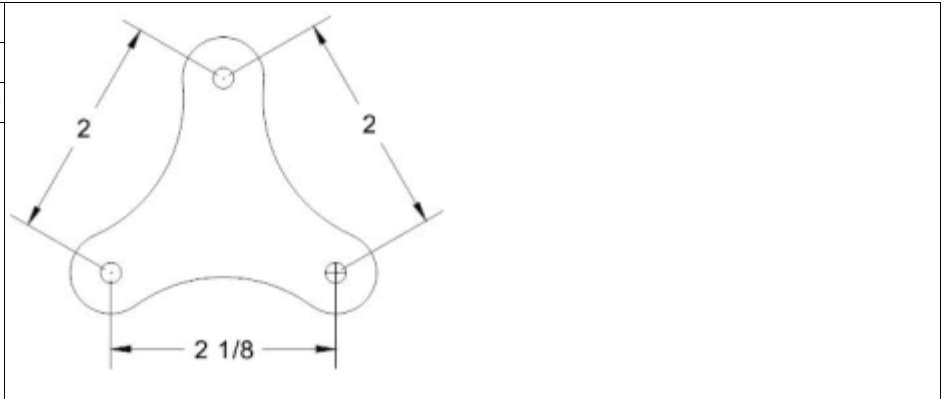


TF - 479

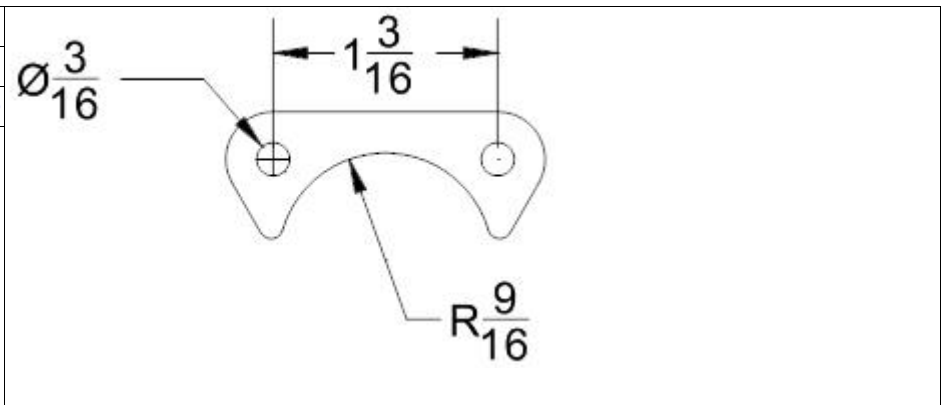


TF - 483

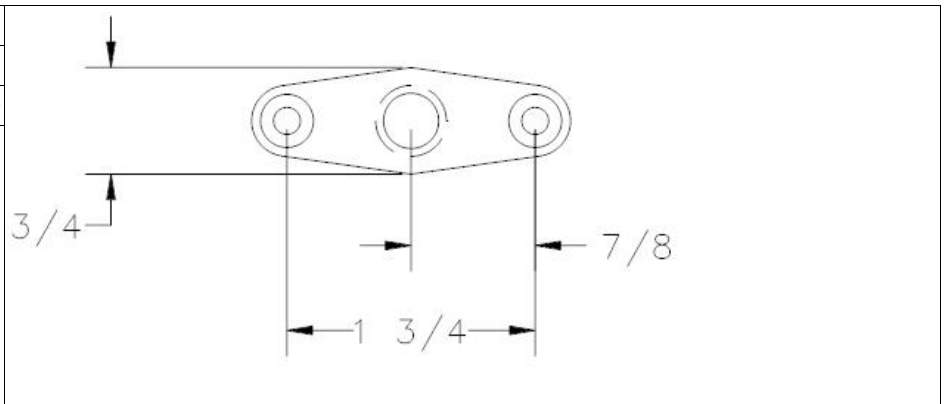
Part #	M-27
Desc.	BODY MOUNT TAB
Material	4130 Back to Image
Hole Size A	.190"
Hole Size B	
Hole Size C	
Base Width	N/A
Thickness	.063"
Style	misc
Comment	



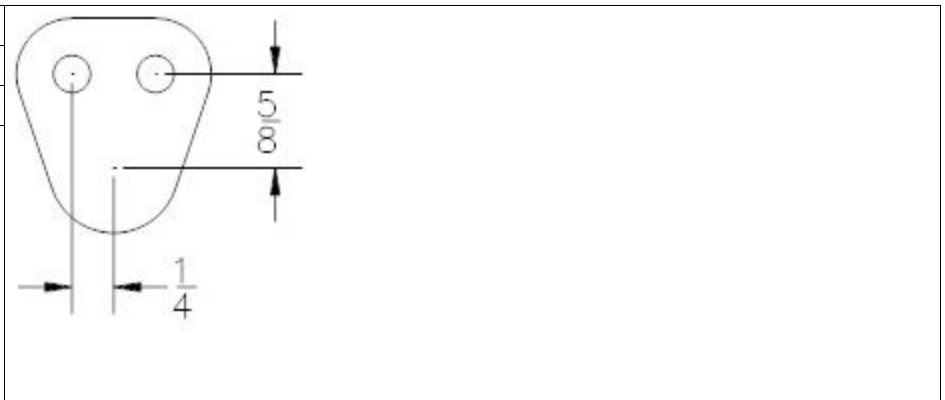
Part #	SPL-190
Desc.	MALLORY SWITCH BRACKET TAB
Material	4130 Back to Image
Hole Size A	.190
Hole Size B	
Hole Size C	
Base Width	1.68"
Thickness	.125"
Style	misc
Comment	



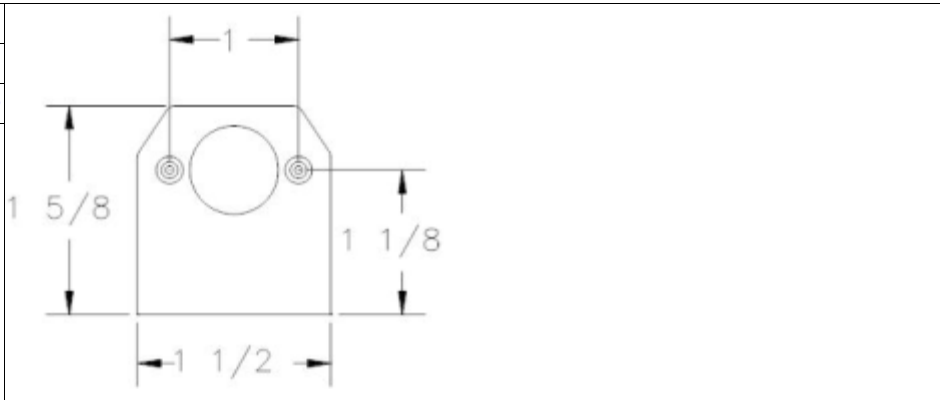
Part #	M-6040-A
Desc.	CHUTE PACK MOUNT TAB
Material	4130 Back to Image
Hole Size A	.191"
Hole Size B	.390"
Hole Size C	
Base Width	N/A
Thickness	.090"
Style	misc
Comment	



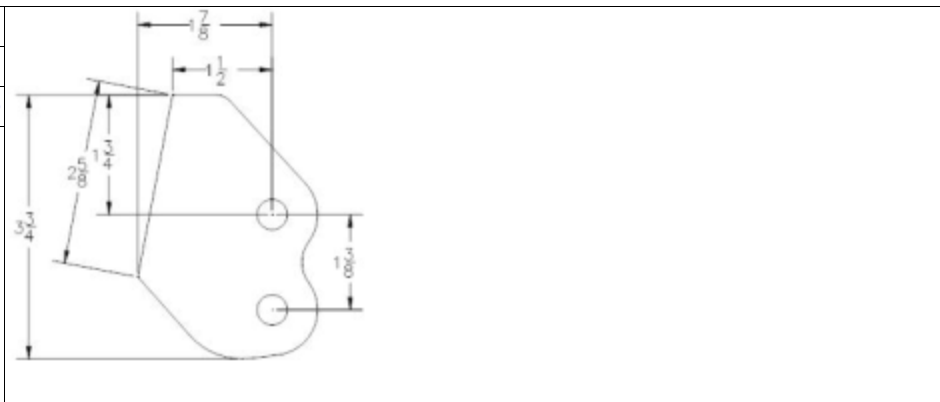
Part #	M-100-A
Desc.	INJECTOR THROTTLE TAB
Material	4130 Back to Image
Hole Size A	.250"
Hole Size B	
Hole Size C	
Base Width	N/A
Thickness	.125"
Style	misc
Comment	



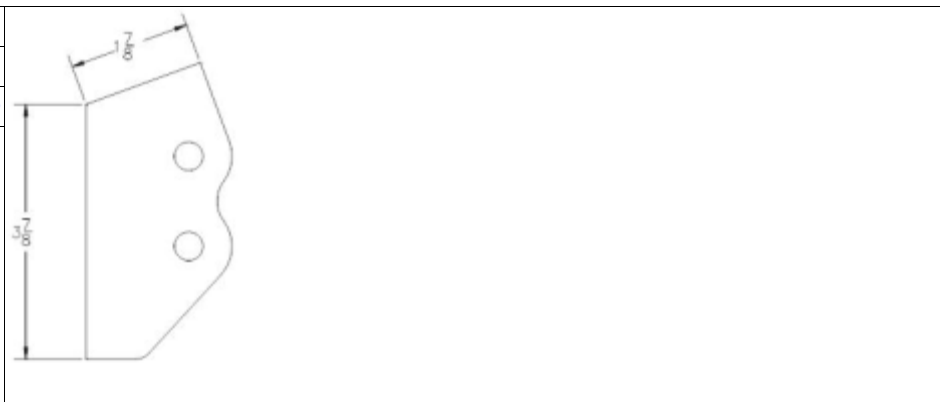
Part #	M-4665	
Desc.	CAMLOC TAB	
Material	4130	Back to Image
Hole Size A	.0625"	
Hole Size B	.6875"	
Hole Size C		
Base Width	1 1/2"	
Thickness	.063"	
Style	misc	
Comment		



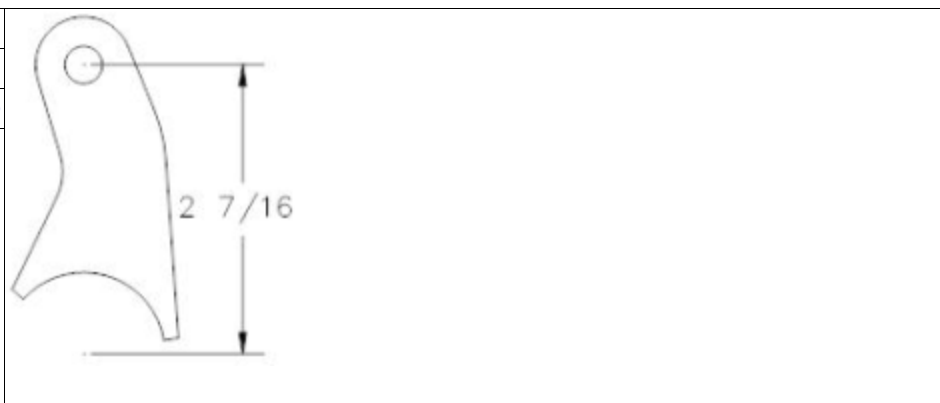
Part #	M-4231	
Desc.	LOWER BOLT-ON TAB	
Material	4130	Back to Image
Hole Size A	.4735"	
Hole Size B		
Hole Size C		
Base Width	2 5/8"	
Thickness	.125"	
Style	misc	
Comment		



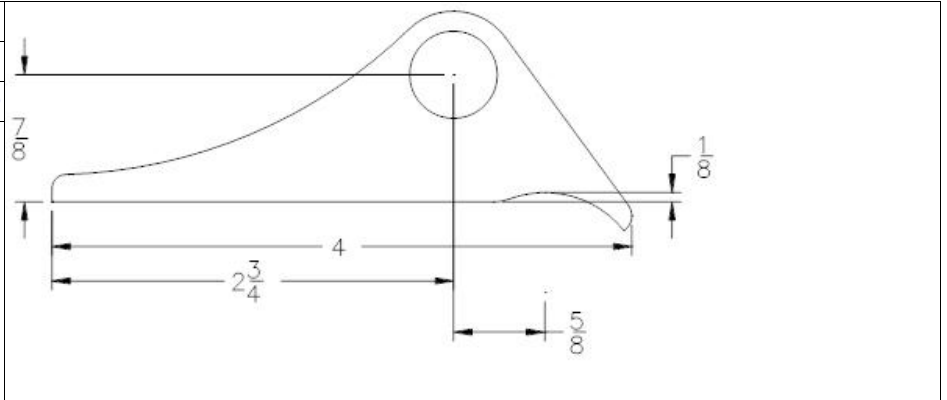
Part #	M-4230	
Desc.	UPPER BOLT-ON TAB	
Material	4130	Back to Image
Hole Size A	.4735"	
Hole Size B		
Hole Size C		
Base Width	3 7/8"	
Thickness	.125"	
Style	misc	
Comment		



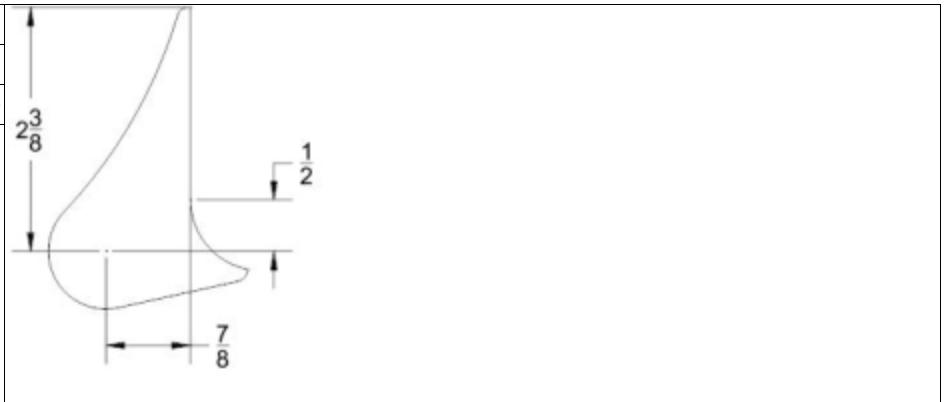
Part #	M-3928	
Desc.	M/CTAB (STRANGE)	
Material	4130	Back to Image
Hole Size A	.3125"	
Hole Size B		
Hole Size C		
Base Width	N/A	
Thickness	.125"	
Style	misc	
Comment		



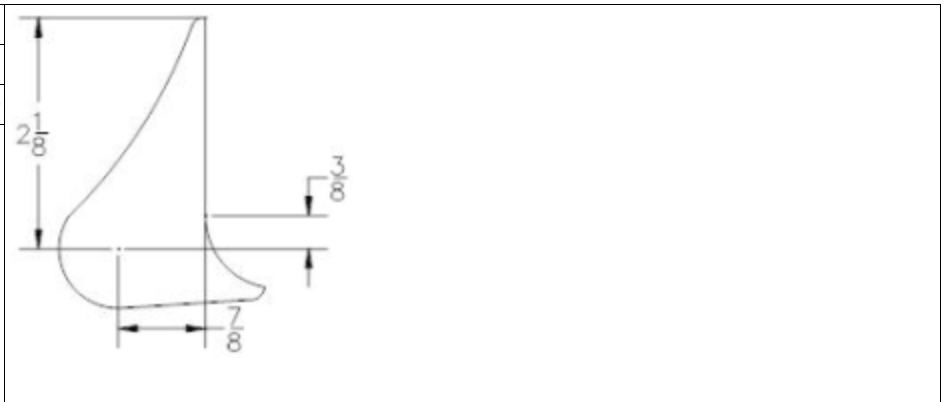
Part #	M-3-S
Desc.	MOTOR MOUNT (BOTTOM TAB F/C)
Material	4130 Back to Image
Hole Size A	.600"
Hole Size B	
Hole Size C	
Base Width	4"
Thickness	.125"
Style	misc
Comment	



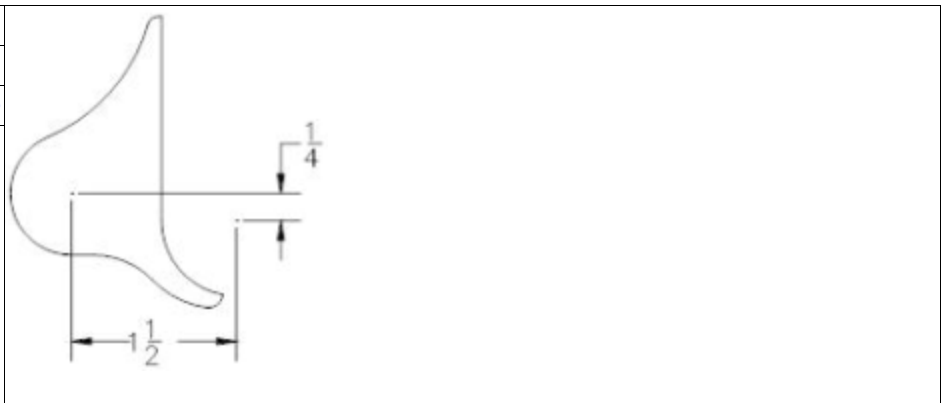
Part #	M-3-G2
Desc.	MOTOR MOUNT TAB (T/F .5 DEG DOWN)
Material	4130 Back to Image
Hole Size A	N/A
Hole Size B	
Hole Size C	
Base Width	N/A
Thickness	.125"
Style	misc
Comment	



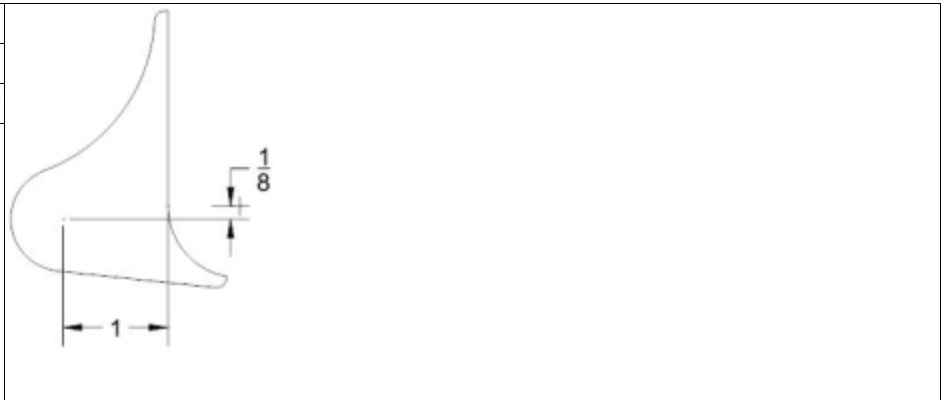
Part #	M-3-G1
Desc.	MOTOR MOUNT TAB (T/F LEVEL)
Material	4130 Back to Image
Hole Size A	N/A
Hole Size B	
Hole Size C	
Base Width	N/A
Thickness	.125"
Style	misc
Comment	



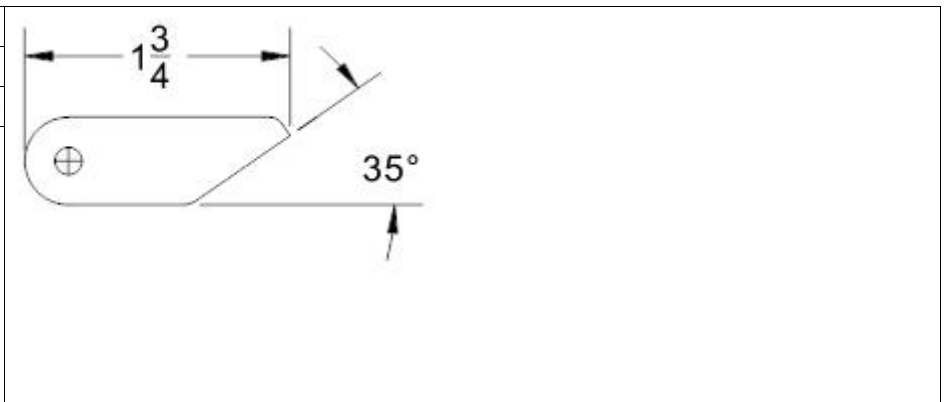
Part #	M-3-G
Desc.	MOTOR MOUNT TAB (T/F BTM 1 DEG)
Material	4130 Back to Image
Hole Size A	N/A
Hole Size B	
Hole Size C	
Base Width	N/A
Thickness	.125"
Style	misc
Comment	



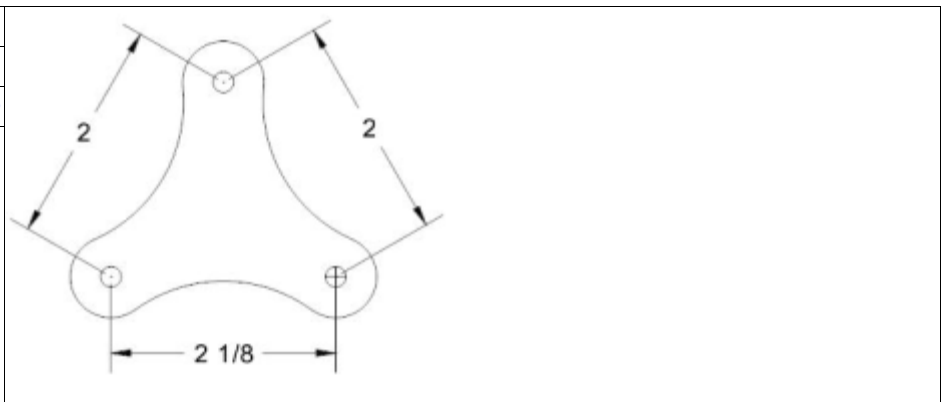
Part #	M-3-F	
Desc.	MOTOR MOUNT TAB (T/F 1 DEG UP)	
Material	4130	Back to Image
Hole Size A	N/A	
Hole Size B		
Hole Size C		
Base Width	N/A	
Thickness	.125"	
Style	misc	
Comment		



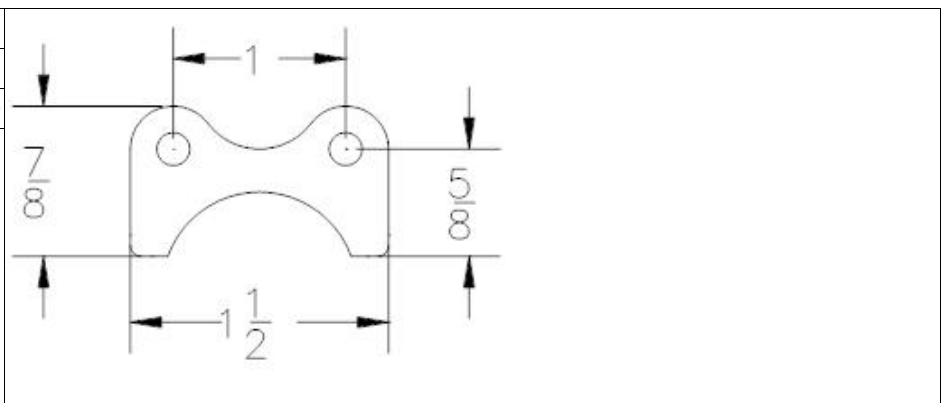
Part #	M-87	
Desc.	FIRE CAM MOUNT TAB	
Material	4130	Back to Image
Hole Size A	.190"	
Hole Size B		
Hole Size C		
Base Width	N/A	
Thickness	.063"	
Style	misc	
Comment		



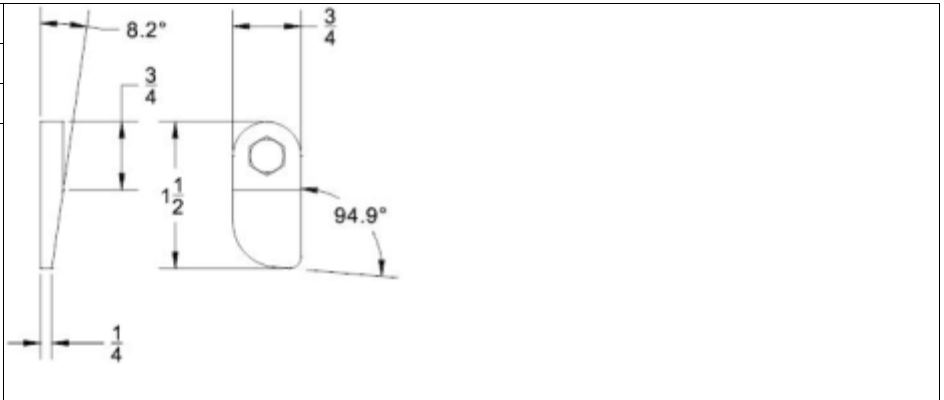
Part #	M-27-A	
Desc.	BODY MOUNT TAB	
Material	4130	Back to Image
Hole Size A	.190"	
Hole Size B		
Hole Size C		
Base Width	N/A	
Thickness	.090"	
Style	misc	
Comment		



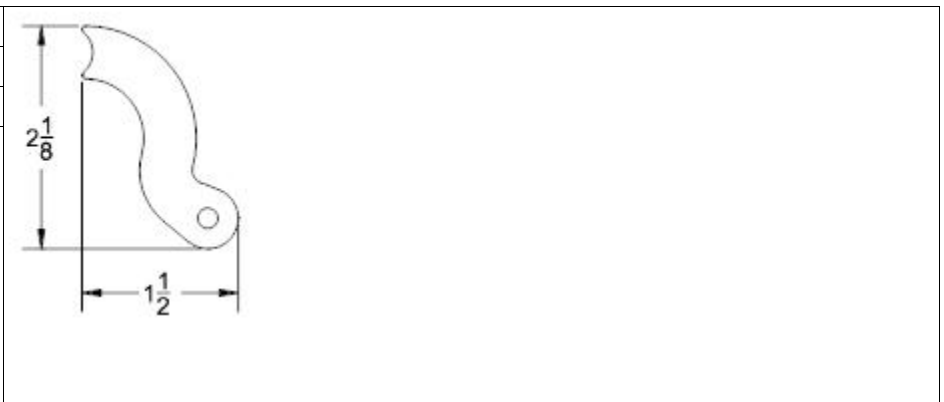
Part #	M-79-A	
Desc.	FIRE BOTTLE MOUNT TAB (CUPPED)	
Material	4130	Back to Image
Hole Size A	.192"	
Hole Size B		
Hole Size C		
Base Width	1 1/2"	
Thickness	.125"	
Style	misc	
Comment		



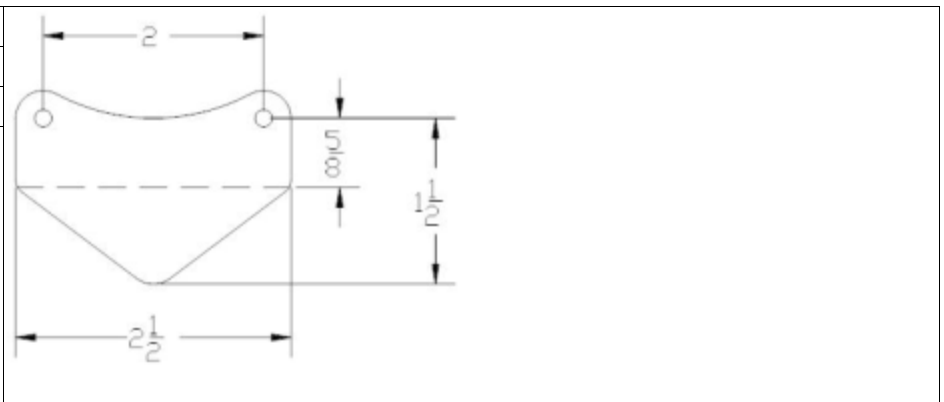
Part #	M-260-MS	
Desc.	REVERSER ARM TAB (MOORE F/C)	
Material	4130	Back to Image
Hole Size A	.375"	
Hole Size B		
Hole Size C		
Base Width	N/A	
Thickness	.25"	
Style	misc	
Comment		



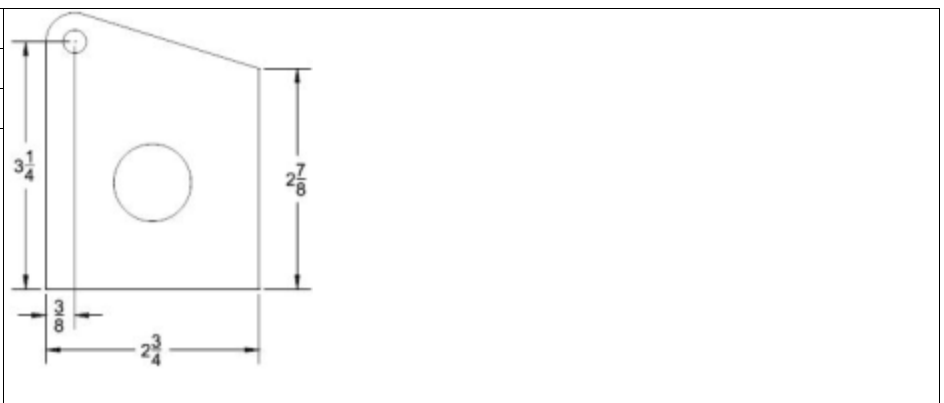
Part #	M-25-RP	
Desc.	REAR BODY RELEASE PULL TAB (F/C)	
Material	4130	Back to Image
Hole Size A	.1875"	
Hole Size B		
Hole Size C		
Base Width		
Thickness	.190"	
Style	misc	
Comment		



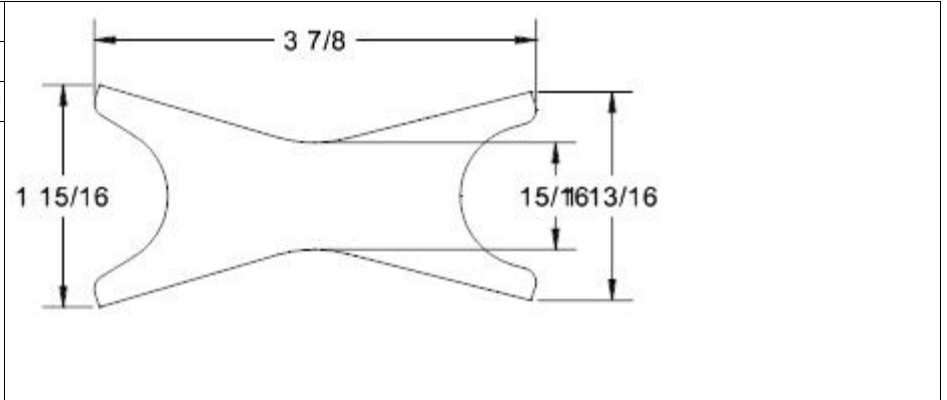
Part #	M-235	
Desc.	HEADER STRUT TAB	
Material	4130	Back to Image
Hole Size A	.15625"	
Hole Size B		
Hole Size C		
Base Width	N/A	
Thickness	.063"	
Style	misc	
Comment		



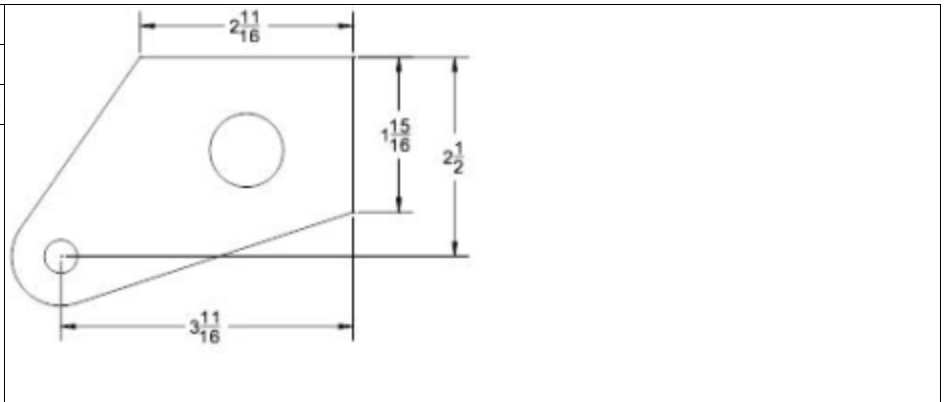
Part #	M-229-B	
Desc.	WINGSTAND TAB (ADJUSTER TUBE MOUNT T	
Material	4130	Back to Image
Hole Size A	.3125"	
Hole Size B	1"	
Hole Size C		
Base Width	2 3/4"	
Thickness	.190"	
Style	misc	
Comment		



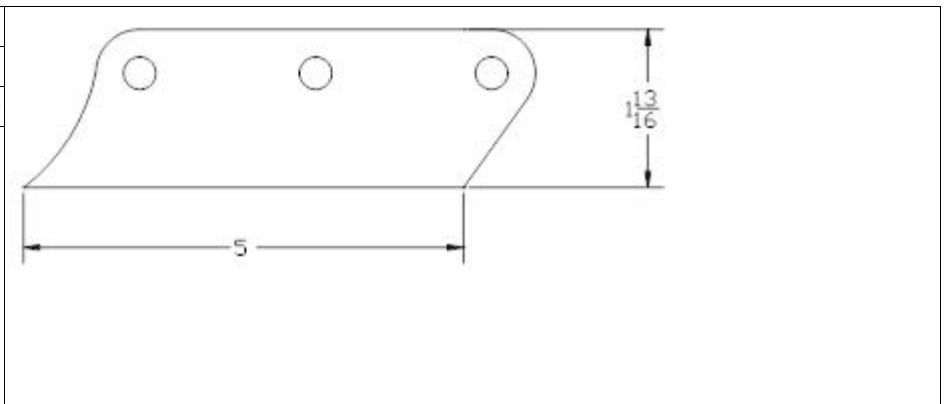
Part #	M-229-A
Desc.	WINGSTAND GUSSET
Material	4130 Back to Image
Hole Size A	N/A
Hole Size B	
Hole Size C	
Base Width	N/A
Thickness	.063"
Style	misc
Comment	



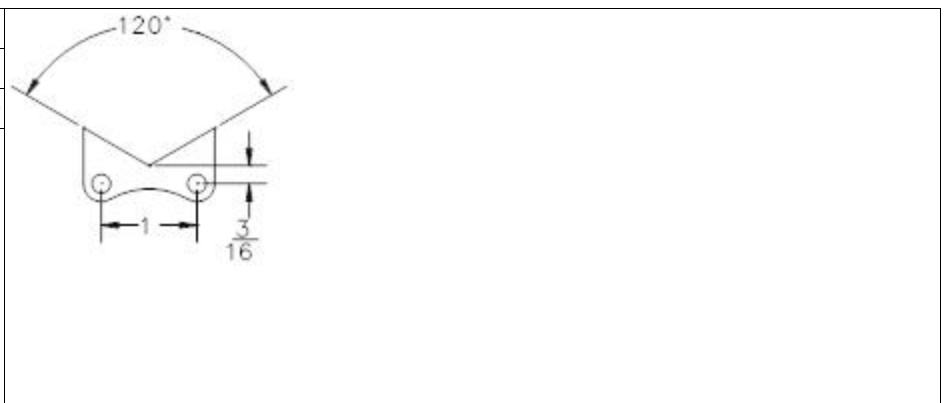
Part #	M-228-A
Desc.	STA ROD TAB (T/F INNER TOP)
Material	4130 Back to Image
Hole Size A	.4735"
Hole Size B	1"
Hole Size C	
Base Width	2 11/16"
Thickness	.190"
Style	misc
Comment	



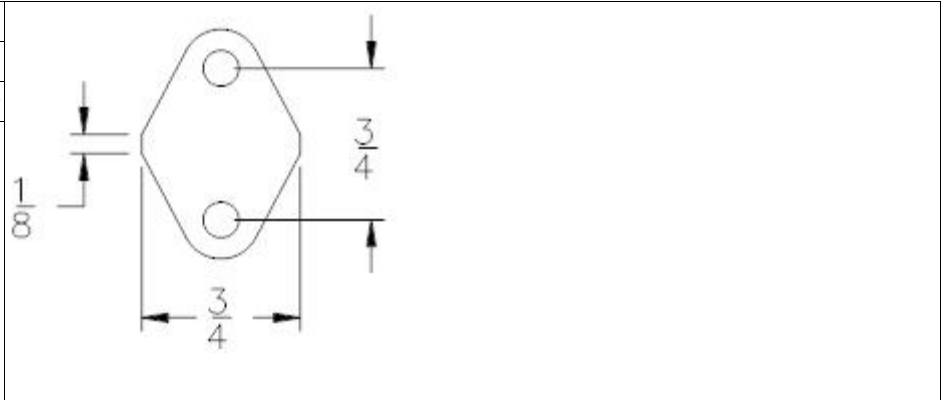
Part #	M-227
Desc.	WING STRUT TAB
Material	4130 Back to Image
Hole Size A	.375"
Hole Size B	
Hole Size C	
Base Width	4 7/8"
Thickness	.125"
Style	misc
Comment	



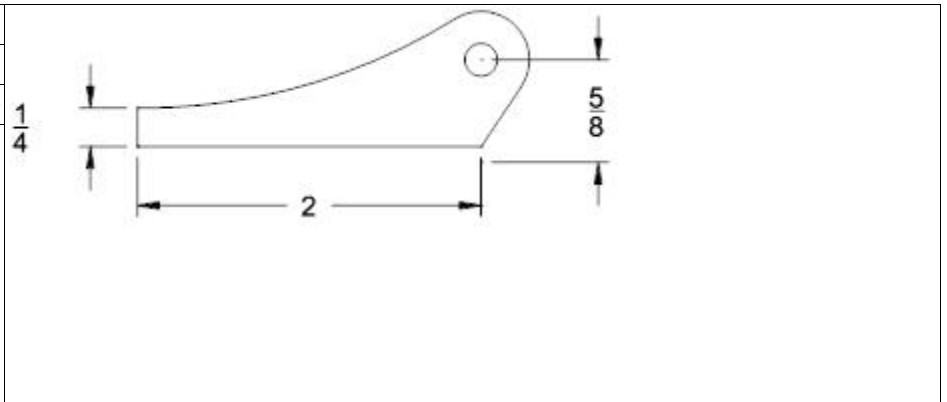
Part #	M-174
Desc.	HYDRAULIC DISCONNECT TAB
Material	4130 Back to Image
Hole Size A	.196"
Hole Size B	
Hole Size C	
Base Width	N/A
Thickness	.125"
Style	misc
Comment	



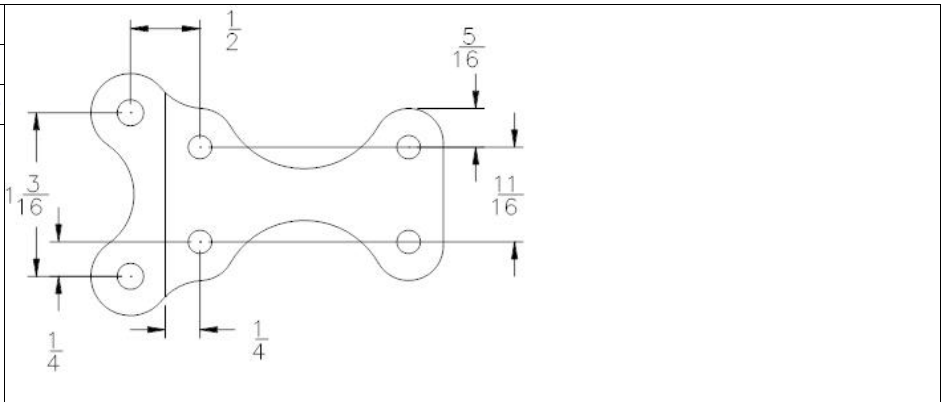
Part #	M-146-B1	
Desc.	SPOILER TAB (SHORT BASE)	
Material	4130	Back to Image
Hole Size A	.170"	
Hole Size B		
Hole Size C		
Base Width	N/A	
Thickness	.090"	
Style	misc	
Comment		



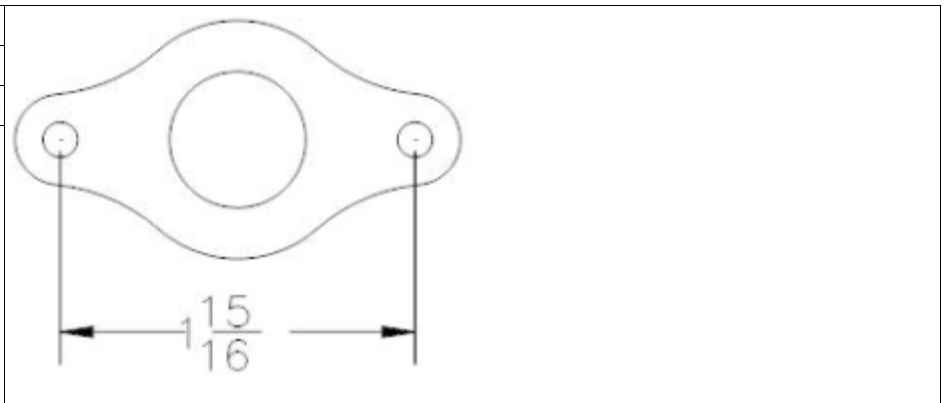
Part #	M-146-A2	
Desc.	SPOILER TAB (LONG TAB)	
Material	4130	Back to Image
Hole Size A	.1875"	
Hole Size B		
Hole Size C		
Base Width	2"	
Thickness	.090"	
Style	misc	
Comment		



Part #	M-146-A1	
Desc.	SPOILER TAB (LONG BASE)	
Material	4130	Back to Image
Hole Size A	.170"	
Hole Size B	.190"	
Hole Size C		
Base Width	N/A	
Thickness	.090"	
Style	misc	
Comment		



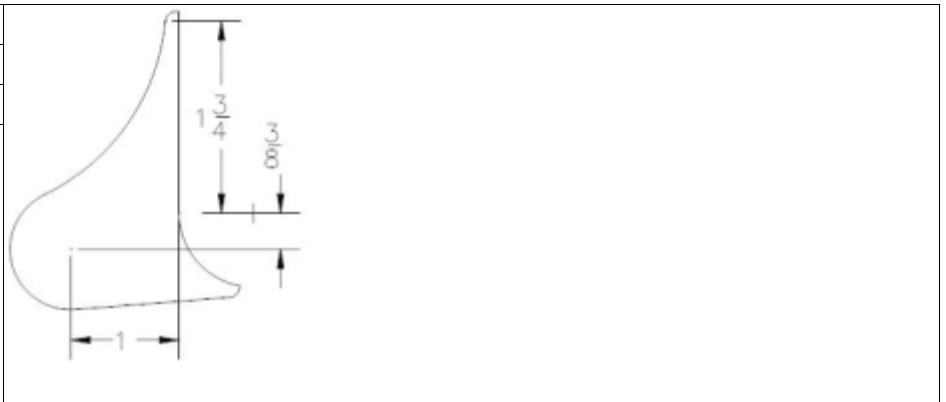
Part #	M-130	
Desc.	J. WEST AIR SWITCH TAB	
Material	4130	Back to Image
Hole Size A	.750"	
Hole Size B	.1875"	
Hole Size C		
Base Width	N/A	
Thickness	.090"	
Style	misc	
Comment		



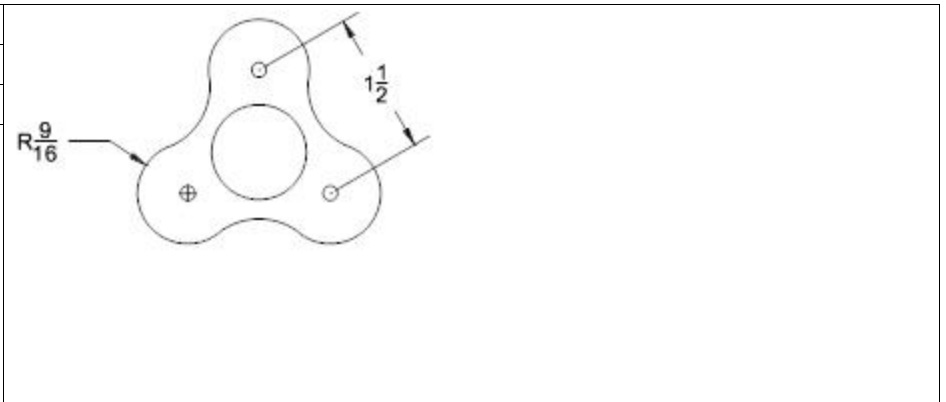
Part #	M-120-B	
Desc.	BODY HINGE STOP TAB	
Material	4130	Back to Image
Hole Size A	.1875"	
Hole Size B		
Hole Size C		
Base Width	N/A	
Thickness	.125"	
Style	misc	
Comment		



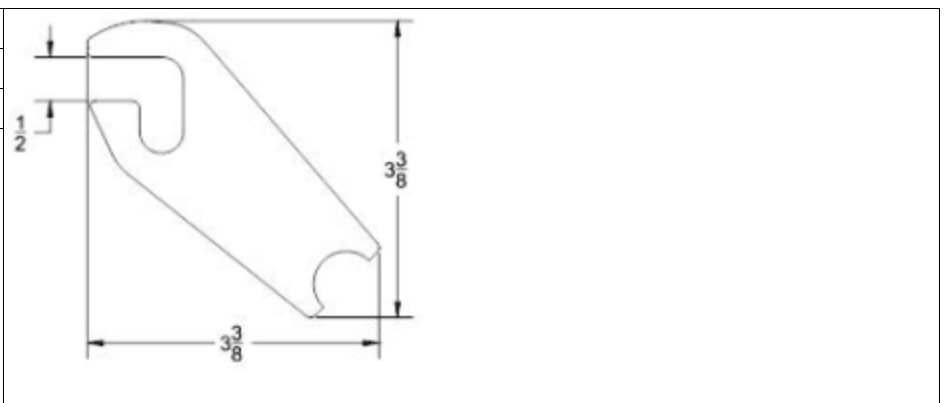
Part #	M-3-A	
Desc.	MOTOR MOUNT TAB (BOTTOM)	
Material	4130	Back to Image
Hole Size A	N/A	
Hole Size B		
Hole Size C		
Base Width	N/A	
Thickness	.125"	
Style	misc	
Comment		

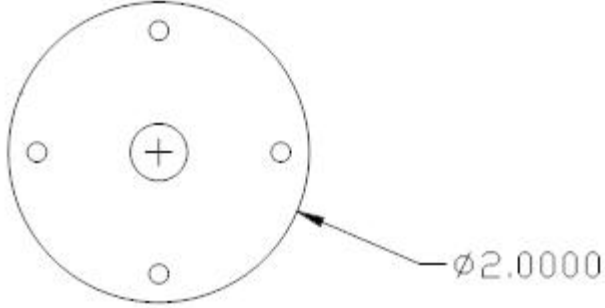


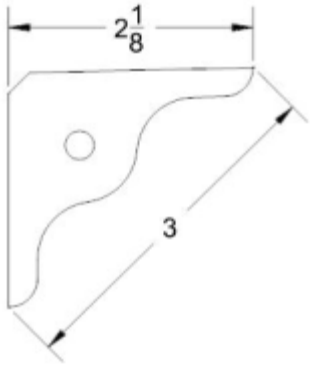
Part #	SPL-11-A	
Desc.	SPILL PLATE DOUBLER TAB	
Material	4130	Back to Image
Hole Size A	.1875"	
Hole Size B	1"	
Hole Size C		
Base Width	N/A	
Thickness	.050"	
Style	misc	
Comment		

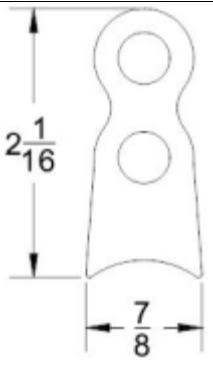


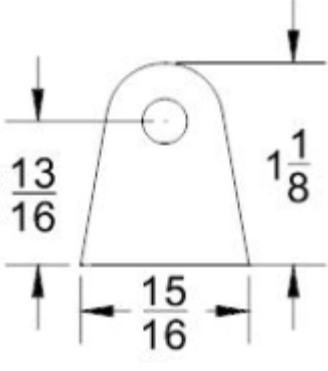
Part #	SPL-63	
Desc.	PUKE TANK (F/C REAR MOUNT TAB)	
Material	4130	Back to Image
Hole Size A	N/A	
Hole Size B		
Hole Size C		
Base Width	N/A	
Thickness	.125"	
Style	misc	
Comment		



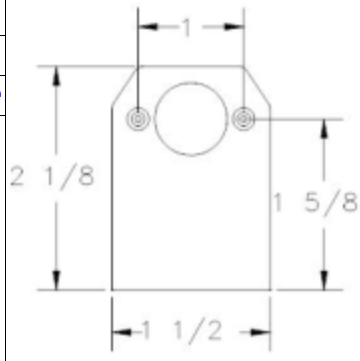
Part #	SPL-62		
Desc.	SPOILER BODY TAB		
Material	4130	Back to Image	
Hole Size A	.13"		
Hole Size B	.375"		
Hole Size C			
Base Width	N/A		
Thickness	.090"		
Style	misc		
Comment			

Part #	TF-373		
Desc.	CORNER TAB		
Material	4130	Back to Image	
Hole Size A	.250"		
Hole Size B			
Hole Size C			
Base Width	2.110"		
Thickness	.125"		
Style	misc		
Comment			

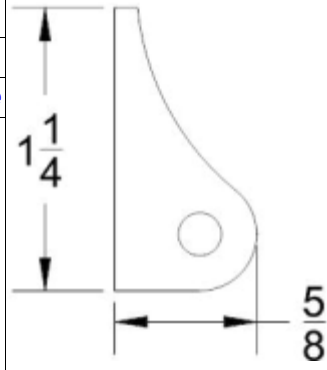
Part #	SPL-61		
Desc.	HARDLINE TAB		
Material	4130	Back to Image	
Hole Size A	.390"		
Hole Size B			
Hole Size C			
Base Width	7/8"		
Thickness	.125"		
Style	misc		
Comment			

Part #	TF-395		
Desc.	RUB BLOCK TAB W/ DIAGONALS		
Material	4130	Back to Image	
Hole Size A	.250"		
Hole Size B	.26"		
Hole Size C			
Base Width	2 3/4"		
Thickness	.090"		
Style	misc		
Comment			

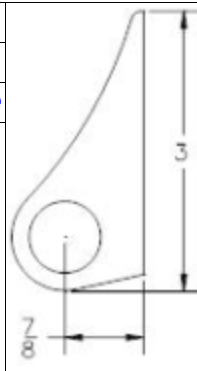
Part #	M-4666	
Desc.	CAMLOC TAB (LONG)	
Material	4130	Back to Image
Hole Size A	.0625"	
Hole Size B	.6875"	
Hole Size C		
Base Width	1 1/2"	
Thickness	.063"	
Style	misc	
Comment		



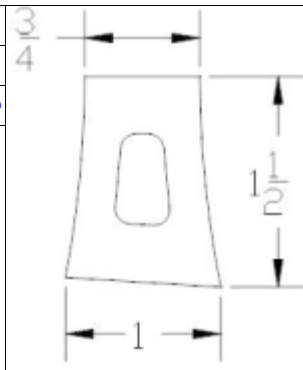
Part #	TF-457	
Desc.	FORWARD STRUT SUPPORT TAB	
Material	4130	Back to Image
Hole Size A	.190"	
Hole Size B		
Hole Size C		
Base Width	1 1/4"	
Thickness	.125"	
Style	misc	
Comment		

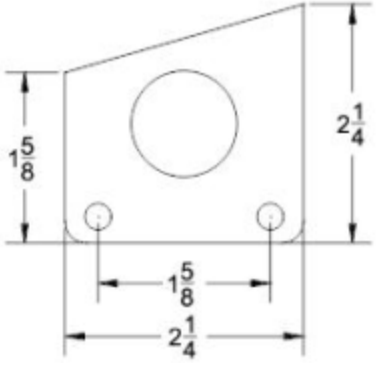


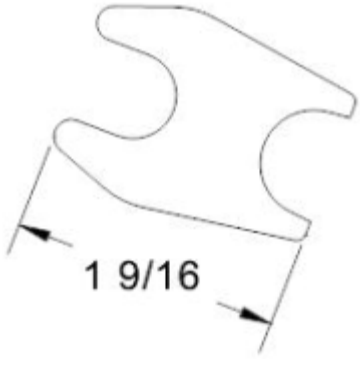
Part #	TF-458	
Desc.	SINGLE FRONT WING FRONT NOSE TAB	
Material	4130	Back to Image
Hole Size A	.755"	
Hole Size B		
Hole Size C		
Base Width	2.951"	
Thickness	.125"	
Style	misc	
Comment		

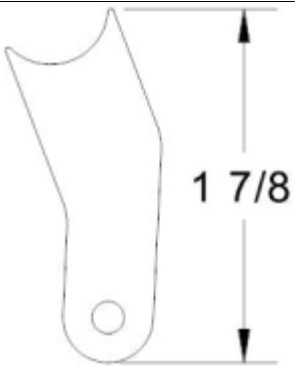


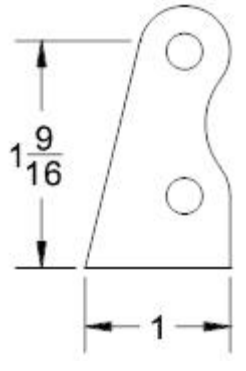
Part #	SPL-273	
Desc.	REAR TANK STRAP TAB	
Material	4130	Back to Image
Hole Size A	N/A	
Hole Size B		
Hole Size C		
Base Width	1"	
Thickness	.125"	
Style	misc	
Comment		



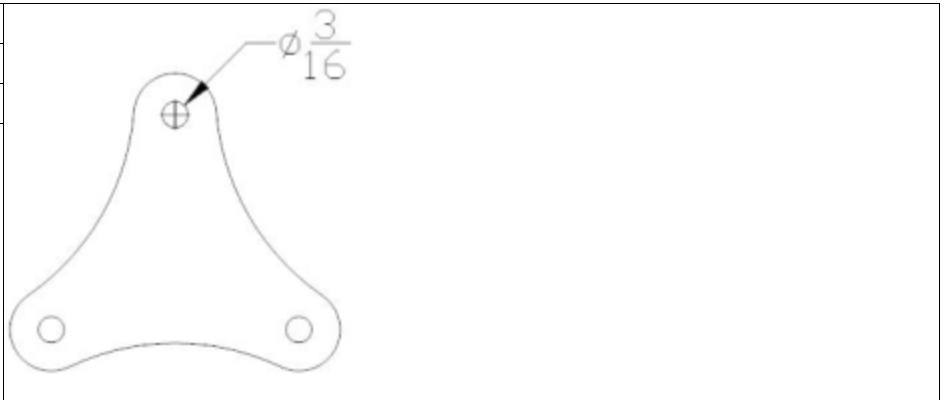
Part #	SPL-256		
Desc.	BDK TAB		
Material	4130	Back to Image	
Hole Size A	.250"		
Hole Size B	1"		
Hole Size C			
Base Width	2 1/4"		
Thickness	.063"		
Style	misc		
Comment			

Part #	TF-184		
Desc.	REAR P-TANK MOUNT TAB		
Material	4130	Back to Image	
Hole Size A	N/A		
Hole Size B			
Hole Size C			
Base Width	N/A		
Thickness	.125"		
Style	misc		
Comment			

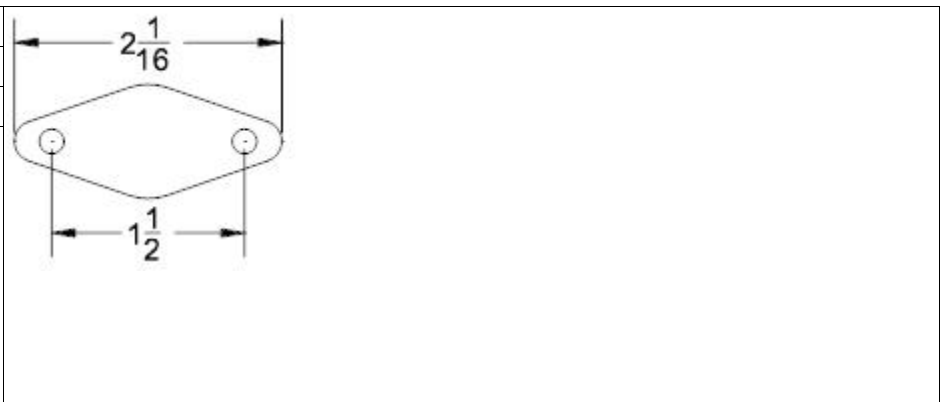
Part #	SPL-143		
Desc.	CABLE/AIR CYLINDER TAB		
Material	4130	Back to Image	
Hole Size A	.190"		
Hole Size B			
Hole Size C			
Base Width	N/A		
Thickness	.090"		
Style	misc		
Comment			

Part #	SPL-50		
Desc.	PROPORTIONING VALVE TAB		
Material	4130	Back to Image	
Hole Size A	.250"		
Hole Size B			
Hole Size C			
Base Width	N/A		
Thickness	.063"		
Style	misc		
Comment			

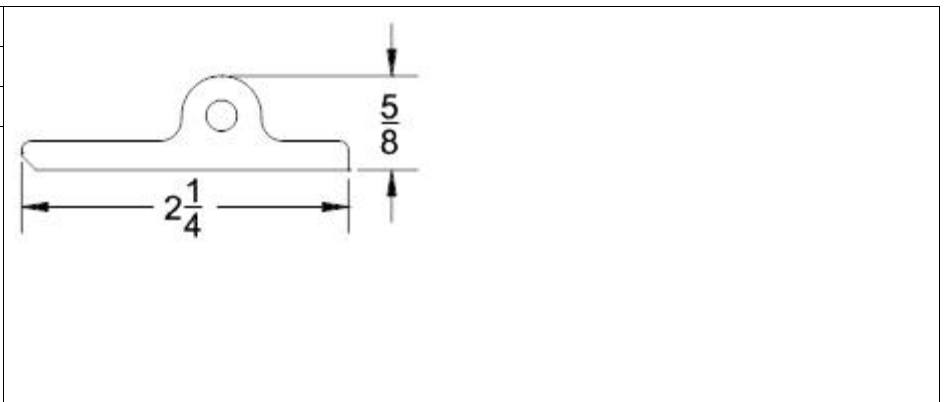
Part #	SPL -11	
Desc.	SPILL PLATE STRUT TAB	
Material	4130	Back to Image
Hole Size A	.1875"	
Hole Size B		
Hole Size C		
Base Width	N/A	
Thickness	.063"	
Style	misc	
Comment		



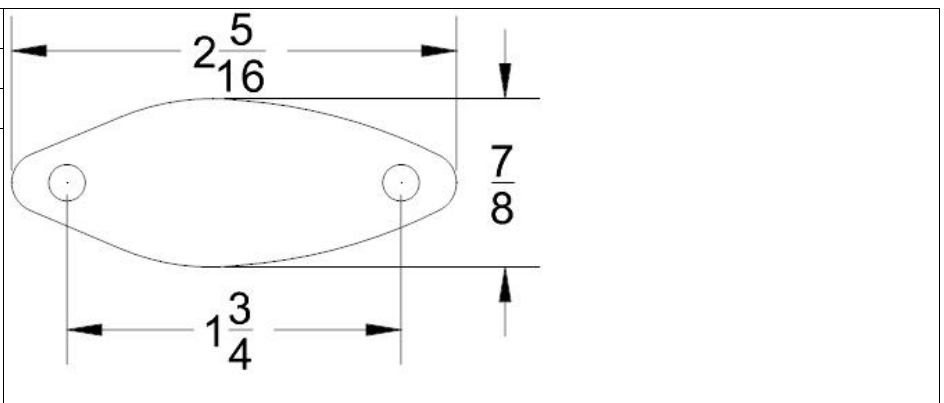
Part #	FC-661	
Desc.	SPOILER STRUT TAB	
Material	4130	Back to Image
Hole Size A	.190"	
Hole Size B		
Hole Size C		
Base Width	N/A	
Thickness	.090"	
Style	misc	
Comment		

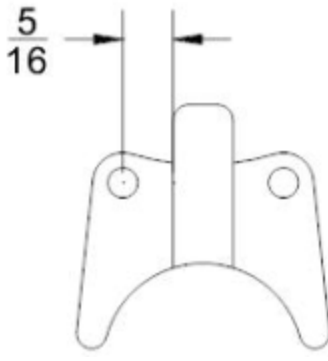


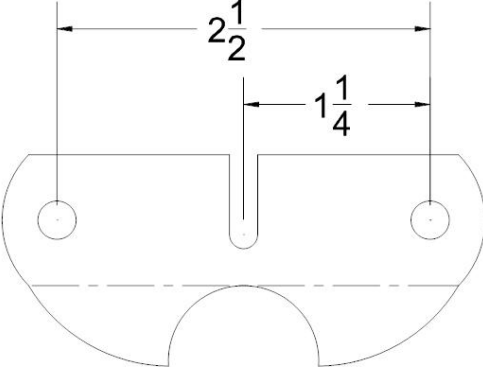
Part #	FC-599-B	
Desc.	REAR CAGE TUBE TAB (INNER-OUTTER)	
Material	4130	Back to Image
Hole Size A	TAP 1/4-28	
Hole Size B		
Hole Size C		
Base Width	2 1/4"	
Thickness	.190"	
Style	misc	
Comment		

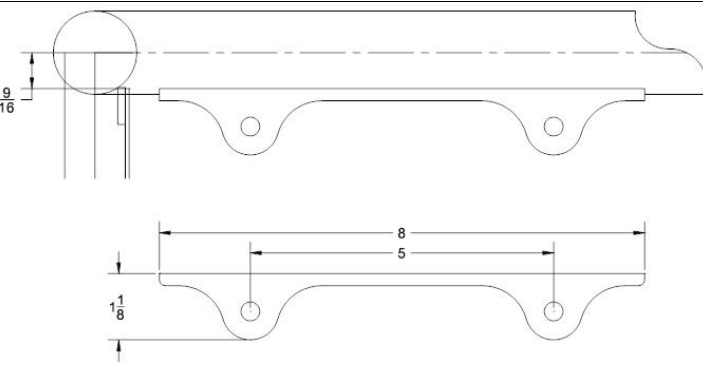


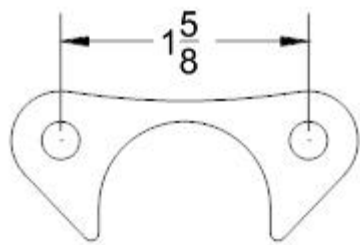
Part #	FC-587	
Desc.	SPOILER STRUT TAB	
Material	4130	Back to Image
Hole Size A	.190"	
Hole Size B		
Hole Size C		
Base Width	N/A	
Thickness	.125"	
Style	misc	
Comment		



Part #	FC-546		
Desc.	DRAGLINK-LINEAR BEARING MOUNT TAB		
Material	4130	Back to Image	
Hole Size A	.190"		
Hole Size B			
Hole Size C			
Base Width			
Thickness	.125"		
Style	misc		
Comment			

Part #	FC-437		
Desc.	SLIDE VALVE TAB		
Material	4130	Back to Image	
Hole Size A	.250"		
Hole Size B			
Hole Size C			
Base Width	N/A		
Thickness	.090"		
Style	misc		
Comment			

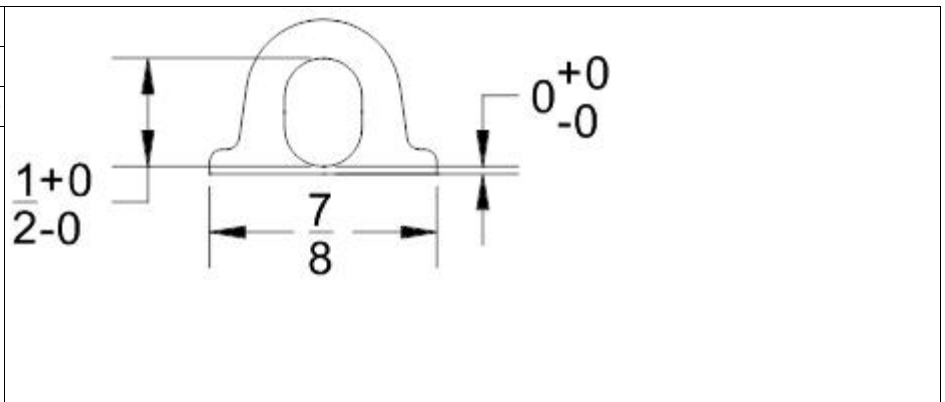
Part #	TF-479		
Desc.	COCKPIT SIDE PANEL TAB		
Material	4130	Back to Image	
Hole Size A	.3125"		
Hole Size B			
Hole Size C			
Base Width	8"		
Thickness	.125"		
Style	misc		
Comment			

Part #	FC-282		
Desc.	STEERING SUPPORT TAB (LOWER)		
Material	4130	Back to Image	
Hole Size A	.250"		
Hole Size B			
Hole Size C			
Base Width	N/A		
Thickness	.125"		
Style	misc		
Comment			

Part #	TF-483	
Desc.	FIRE BOTTLE LEVER TAB - TF-482	
Material	4130	Back to Image
Hole Size A	.250"	
Hole Size B	.125"	
Hole Size C		
Base Width	.8125	
Thickness	.090"	
Style	misc	
Comment		



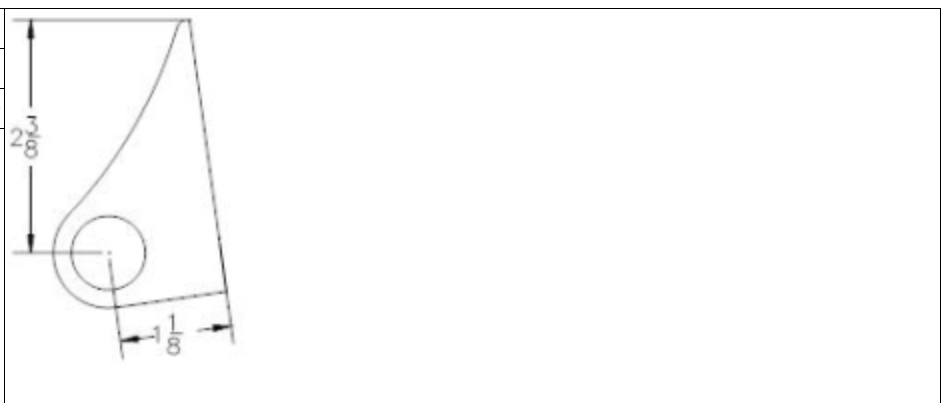
Part #	M-98-S1	
Desc.	SYSTEM ONE MOUNTING TAB	
Material	4130	Back to Image
Hole Size A	.3125"	
Hole Size B		
Hole Size C		
Base Width	7/8"	
Thickness	.125"	
Style	misc	
Comment		



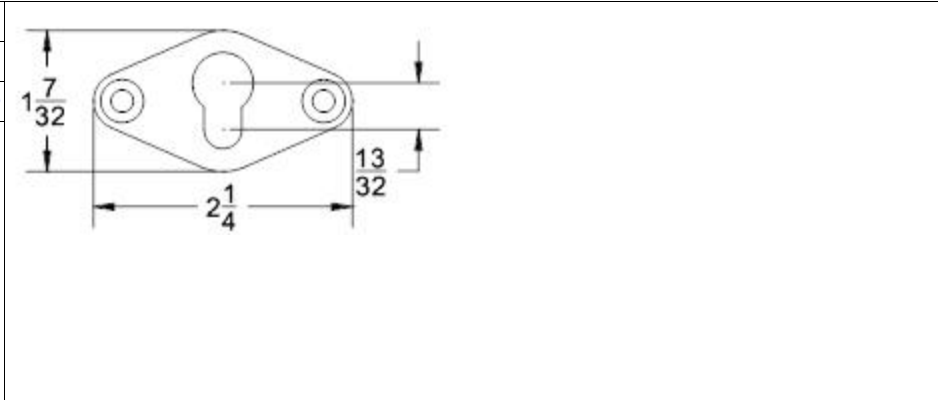
Part #	M-90	
Desc.	FIRE BOTTLE LINE TAB	
Material	4130	Back to Image
Hole Size A	.4735"	
Hole Size B		
Hole Size C		
Base Width	7/8"	
Thickness	.063"	
Style	misc	
Comment		



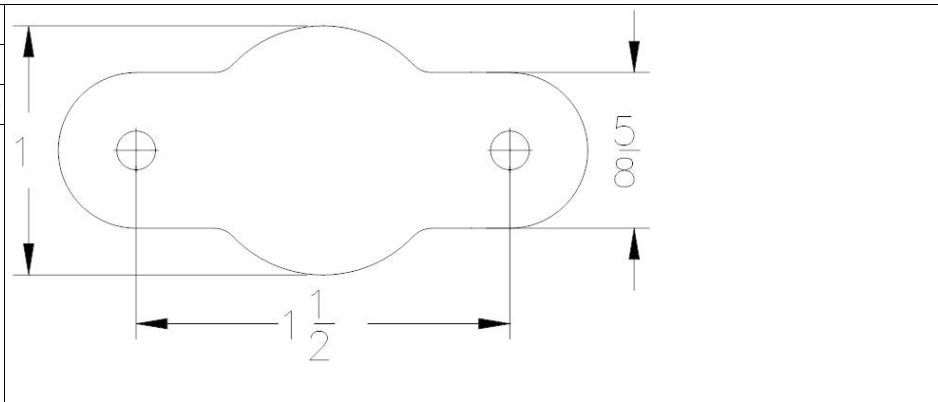
Part #	TF-458-A	
Desc.	SINGLE FRONT WING FRONT NOSE TAB	
Material	4130	Back to Image
Hole Size A	.755"	
Hole Size B		
Hole Size C		
Base Width	N/A	
Thickness	.125"	
Style	misc	
Comment		



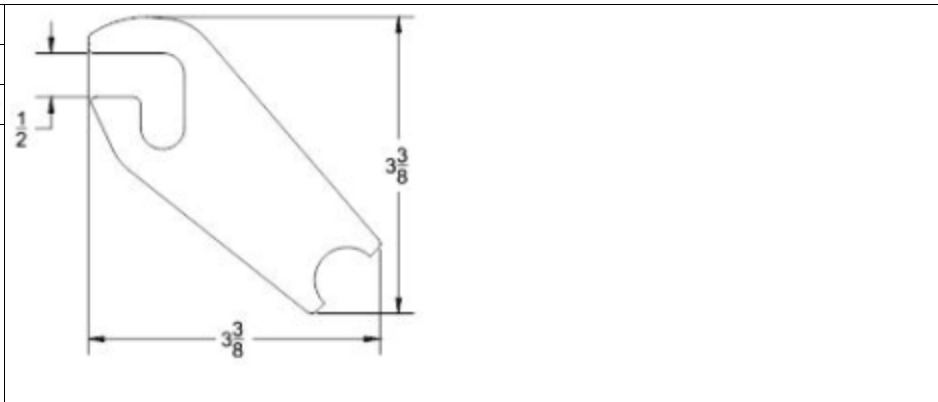
Part #	M-25-RK	
Desc.	REAR BODY RELEASE KEYHOLE TAB (F/C)	
Material	6061	Back to Image
Hole Size A	.0196	
Hole Size B		
Hole Size C		
Base Width	2 1/4"	
Thickness	.125"	
Style	misc	
Comment		



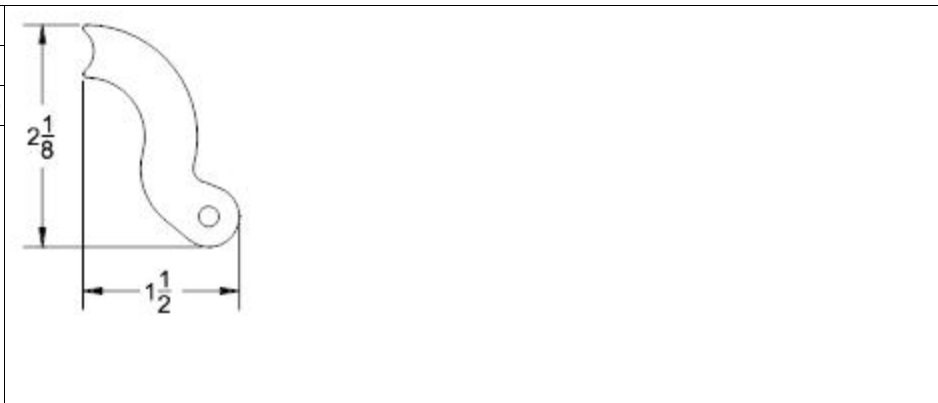
Part #	M-26-DA	
Desc.	BODY MOUNT TAB	
Material	6061	Back to Image
Hole Size A	.15625"	
Hole Size B		
Hole Size C		
Base Width	N/A	
Thickness	.125"	
Style	misc	
Comment		



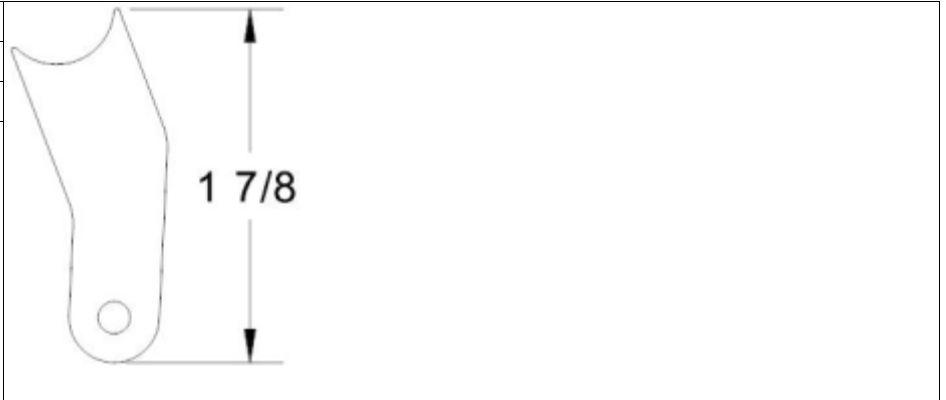
Part #	SPL-63-T	
Desc.	PUKE TANK (F/C REAR MOUNT TAB)	
Material	6-4 Ti	Back to Image
Hole Size A	N/A	
Hole Size B		
Hole Size C		
Base Width	N/A	
Thickness	.125"	
Style	misc	
Comment		



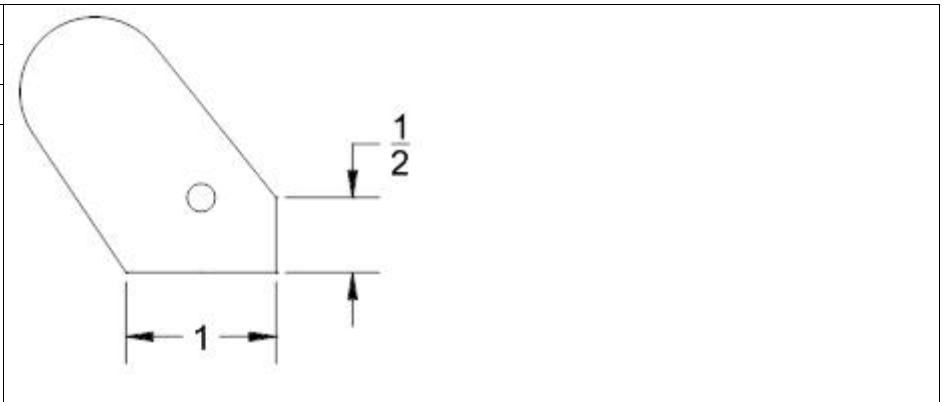
Part #	M-25-T-RP	
Desc.	REAR BODY RELEASE PULL TAB	
Material	6-4 Ti	Back to Image
Hole Size A	.1875"	
Hole Size B		
Hole Size C		
Base Width		
Thickness	.190"	
Style	misc	
Comment		



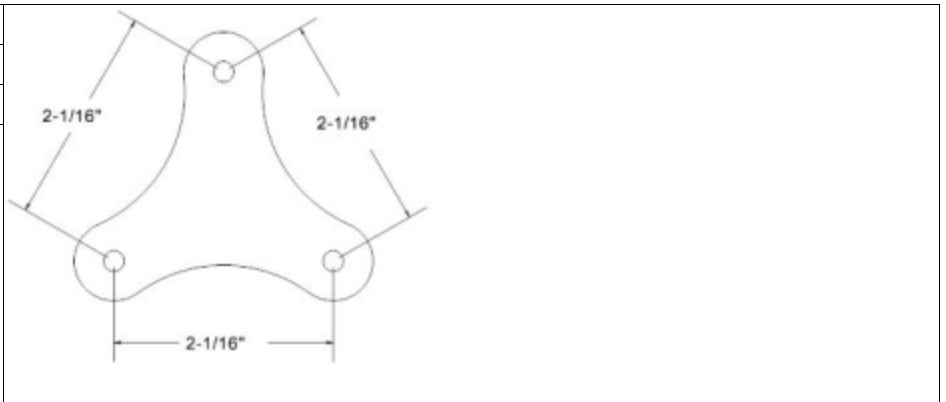
Part #	SPL-143-T	
Desc.	CABLE TAB	
Material	6-4 Ti	Back to Image
Hole Size A	.188"	
Hole Size B		
Hole Size C		
Base Width	N/A	
Thickness	.090"	
Style	misc	
Comment		



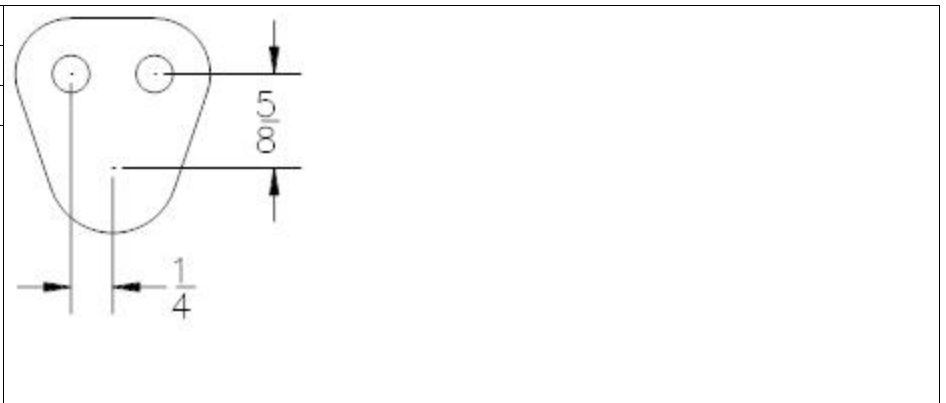
Part #	FC-344-T	
Desc.	COMUTER BOX TAB	
Material	6-4 Ti	Back to Image
Hole Size A	.1875"	
Hole Size B		
Hole Size C		
Base Width	N/A	
Thickness	.090"	
Style	misc	
Comment		



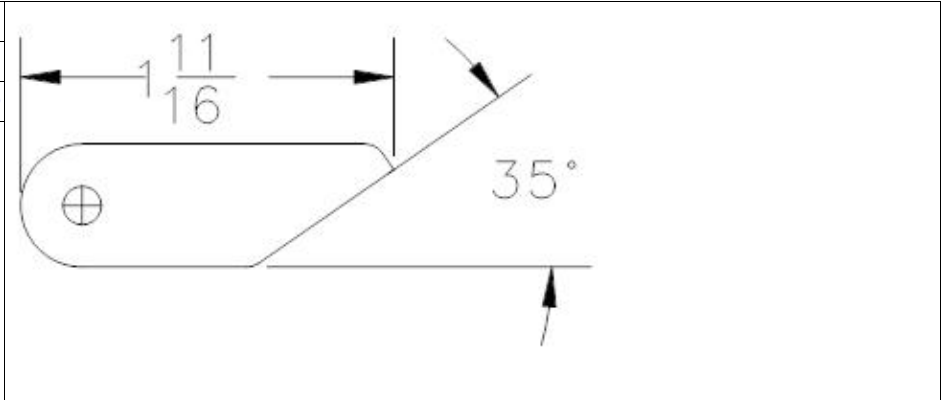
Part #	FC-173	
Desc.	BODY MOUNT TAB	
Material	6-4 Ti	Back to Image
Hole Size A	.190"	
Hole Size B		
Hole Size C		
Base Width	N/A	
Thickness	.090"	
Style	misc	
Comment		



Part #	M-100-ATI	
Desc.	INJECTOR THROTTLE TAB	
Material	6-4 Ti	Back to Image
Hole Size A	.250"	
Hole Size B		
Hole Size C		
Base Width	N/A	
Thickness	.125"	
Style	misc	
Comment		



Part #	M-87-T	
Desc.	FIRE CAM MOUNT TAB	
Material	Cp Gr2 Ti	Back to Image
Hole Size A	.190"	
Hole Size B		
Hole Size C		
Base Width	N/A	
Thickness	.063"	
Style	misc	
Comment		



Part #	M-260-M	
Desc.	REVERSER ARM TAB (MOORE F/C)	
Material	Cp Gr2 Ti	Back to Image
Hole Size A	.375"	
Hole Size B		
Hole Size C		
Base Width	N/A	
Thickness	.25"	
Style	misc	
Comment		

