



Phone: (765)448-4800

FAX: (765) 448-4885

Parts Tech. Hotline: 1-800-542-3088

Rectangle Tab Chart

**Tabs sorted by Shape, Hole Size,
Material, Thickness and Part
Number**

**Click on any image to find out more information for that tab.
(You may go online to order any of these tabs through our E-catalog.
Make sure to connect to the internet before attempting the link below.)
E-catalog URL - <http://secure.mckinneycorp.com>**



FC - 116



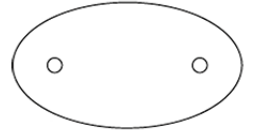
FC - 120



FC - 297



FC - 298



FC - 603



M - 25 - RO



M - 25 - T - RO



M - 26 - A



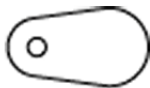
M - 26 - B



M - 26 - C



M - 26 - D



M - 28



M - 121 - J



M - 121 - JT



M - 4783



SPL - 59



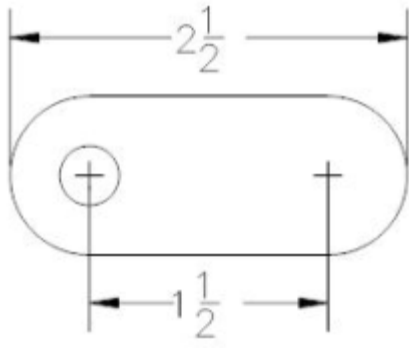
SPL - 236

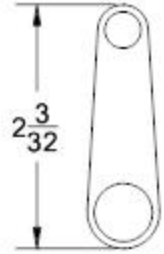



SPL - 237

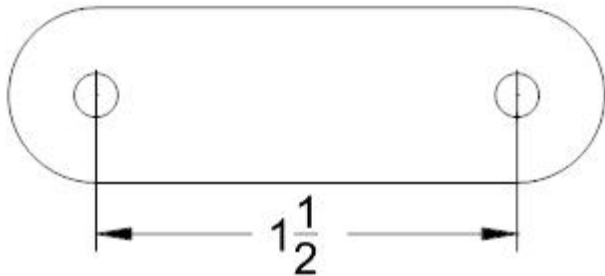


TF - 380

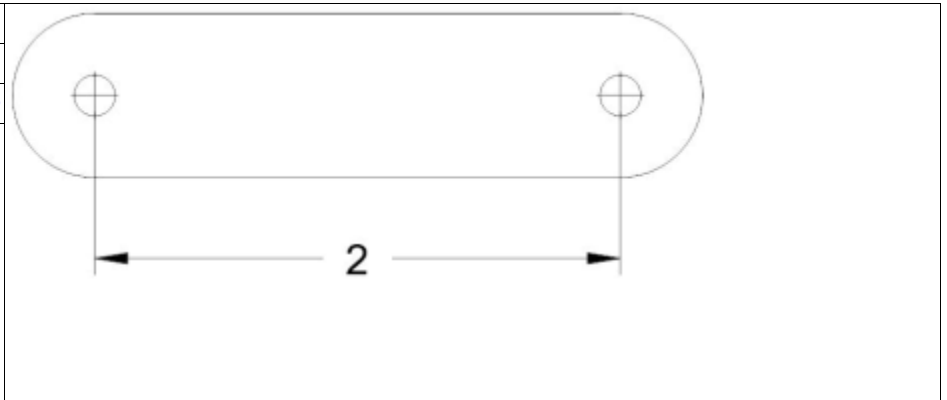
Part #	M-4783		
Desc.	PINION SUPPORT TAB		
Material	4130	Back to Image	
Hole Size A	.375"		
Hole Size B			
Hole Size C			
Base Width	N/A		
Thickness	.125"		
Style	rectangle		
Comment			

Part #	M-25-RO		
Desc.	REAR BODY RELEASE OUTER TAB (F/C)		
Material	4130	Back to Image	
Hole Size A	.3125"		
Hole Size B	.500"		
Hole Size C			
Base Width			
Thickness	.090"		
Style	rectangle		
Comment			

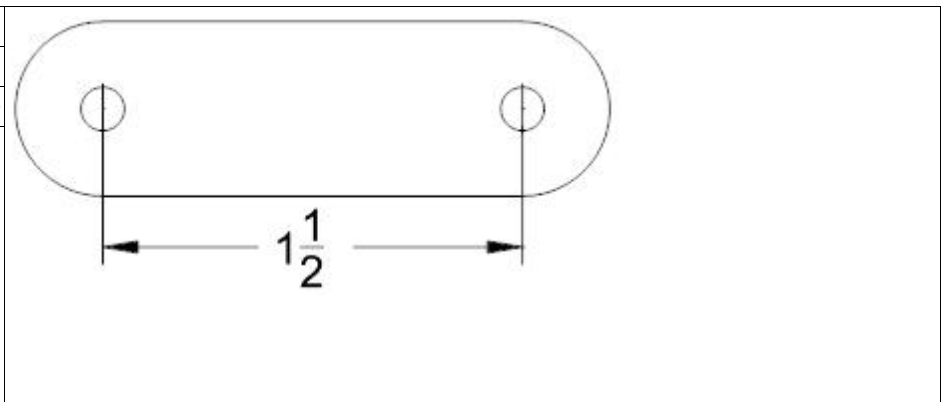
Part #	M-26-A		
Desc.	BODY MOUNT TAB		
Material	4130	Back to Image	
Hole Size A	.15625"		
Hole Size B			
Hole Size C			
Base Width	.625"		
Thickness	.063"		
Style	rectangle		
Comment			

Part #	M-26-B		
Desc.	BODY MOUNT TAB		
Material	4130	Back to Image	
Hole Size A	.15625"		
Hole Size B			
Hole Size C			
Base Width	.625"		
Thickness	.063"		
Style	rectangle		
Comment			

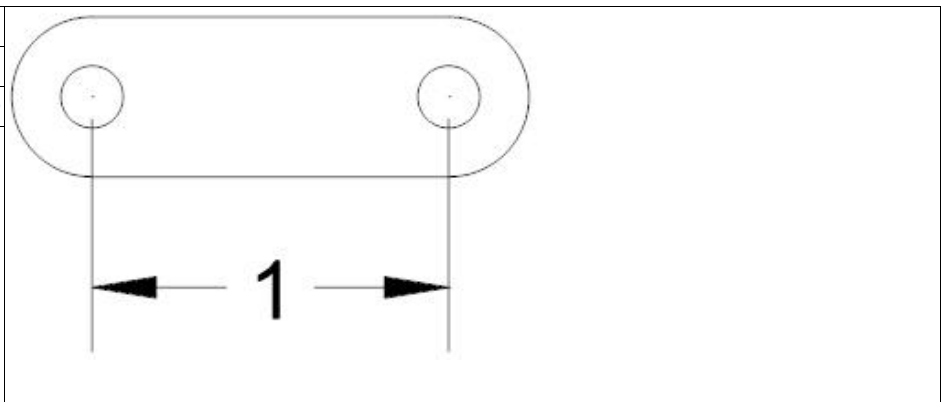
Part #	M-26-C	
Desc.	BODY MOUNT TAB	
Material	4130	Back to Image
Hole Size A	.15625"	
Hole Size B		
Hole Size C		
Base Width	.625"	
Thickness	.125"	
Style	rectangle	
Comment		



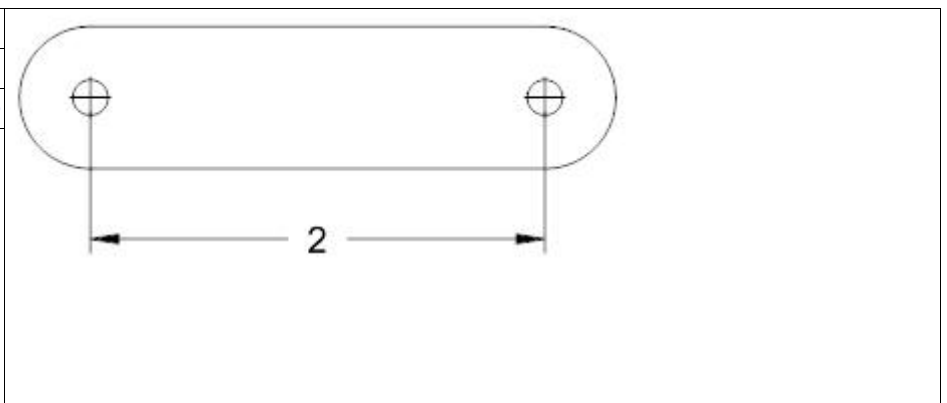
Part #	M-26-D	
Desc.	BODY MOUNT TAB	
Material	4130	Back to Image
Hole Size A	.15625"	
Hole Size B		
Hole Size C		
Base Width	.625"	
Thickness	.125"	
Style	rectangle	
Comment		

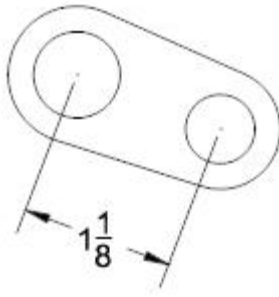


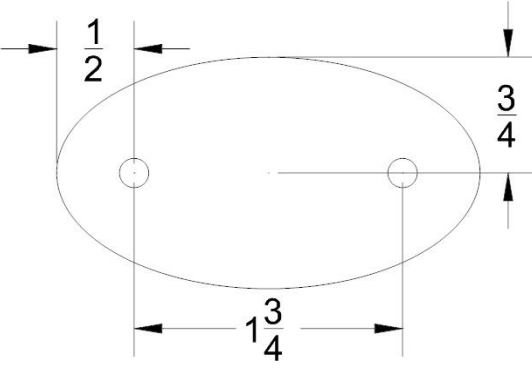
Part #	M-121-J	
Desc.	BILLET PEDAL FOOT LOOP TAB	
Material	4130	Back to Image
Hole Size A	.1875"	
Hole Size B		
Hole Size C		
Base Width	N/A	
Thickness	.063"	
Style	rectangle	
Comment		

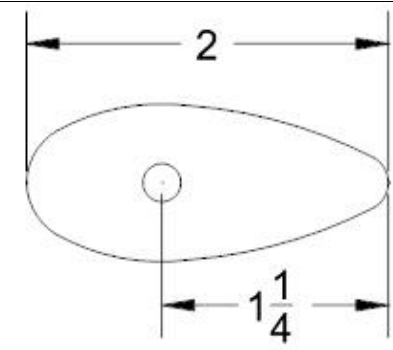


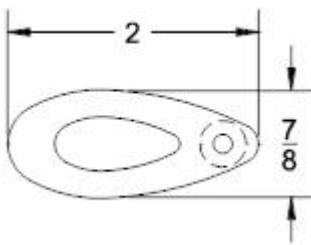
Part #	M-28	
Desc.	STRUT TAB (SINGLE HOLE)	
Material	4130	Back to Image
Hole Size A	.15625"	
Hole Size B		
Hole Size C		
Base Width	.670"	
Thickness	.125"	
Style	rectangle	
Comment		



Part #	TF-380		
Desc.	FULE SHUT OFF - DETENT TAB		
Material	4130	Back to Image	
Hole Size A	.636"		
Hole Size B	.510"		
Hole Size C			
Base Width	N/A		
Thickness	.125"		
Style	rectangle		
Comment			

Part #	FC-603		
Desc.	SPOILER STRUT DOUBLER TAB		
Material	4130	Back to Image	
Hole Size A	.1875"		
Hole Size B			
Hole Size C			
Base Width	N/A		
Thickness	.090"		
Style	rectangle		
Comment			

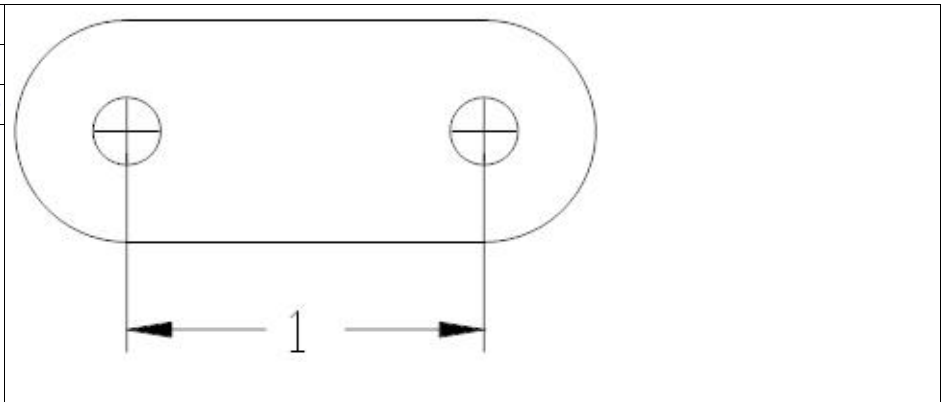
Part #	SPL-236		
Desc.	SPOILER STREAMLINE TAB		
Material	4130	Back to Image	
Hole Size A	.213"		
Hole Size B			
Hole Size C			
Base Width	N/A		
Thickness	.25"		
Style	rectangle		
Comment			

Part #	SPL-237		
Desc.	SPOILER STREAMLINE TAB		
Material	4130	Back to Image	
Hole Size A	.155"		
Hole Size B			
Hole Size C			
Base Width	N/A		
Thickness	.125"		
Style	rectangle		
Comment			

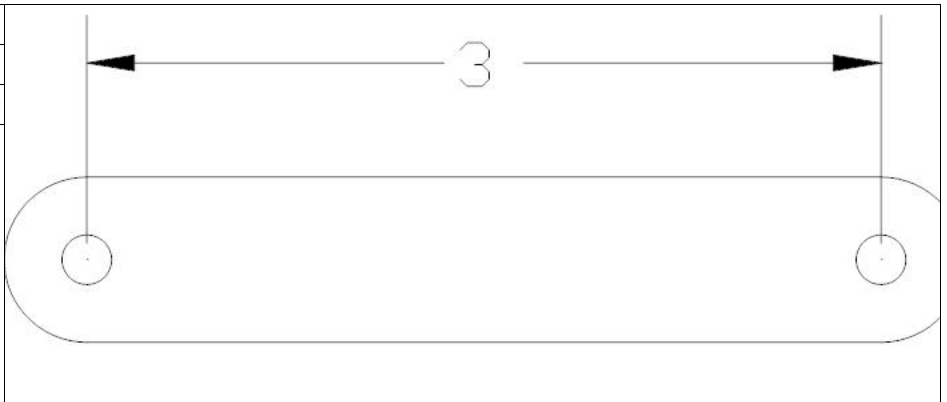
Part #	SPL-59	
Desc.	SPOILER BODY TAB	
Material	4130	Back to Image
Hole Size A	.190"	
Hole Size B		
Hole Size C		
Base Width	N/A	
Thickness	.125"	
Style	rectangle	
Comment		



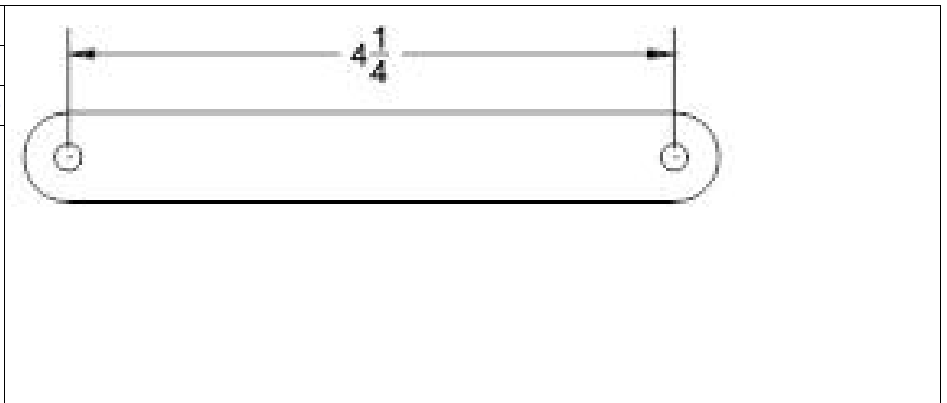
Part #	FC-120	
Desc.	WINDOW STRUT TAB	
Material	6-4 Ti	Back to Image
Hole Size A	.190"	
Hole Size B		
Hole Size C		
Base Width	N/A	
Thickness	.093"	
Style	rectangle	
Comment		

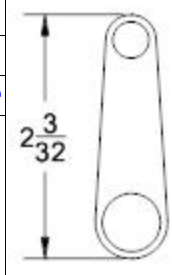


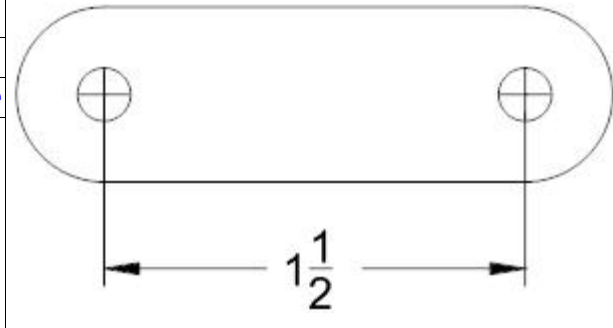
Part #	FC-297	
Desc.	WINDOW STRUT TAB	
Material	6-4 Ti	Back to Image
Hole Size A	.188"	
Hole Size B		
Hole Size C		
Base Width	N/A	
Thickness	.090"	
Style	rectangle	
Comment		

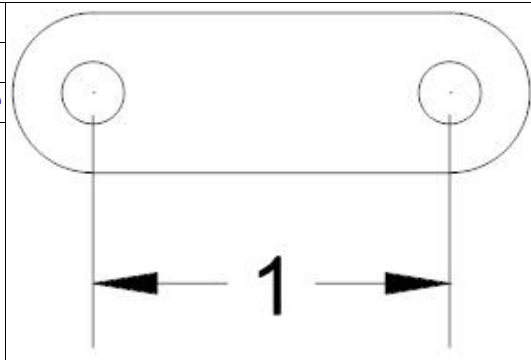


Part #	FC-298	
Desc.	WINDOW STRUT TAB	
Material	6-4 Ti	Back to Image
Hole Size A	.188"	
Hole Size B		
Hole Size C		
Base Width	N/A	
Thickness	.090"	
Style	rectangle	
Comment		



Part #	M-25-T-RO		
Desc.	REAR BODY RELEASE OUTER TAB		
Material	6-4 Ti	Back to Image	
Hole Size A	.3125"		
Hole Size B	.500"		
Hole Size C			
Base Width			
Thickness	.090"		
Style	rectangle		
Comment			

Part #	FC-116		
Desc.	BODY STRUT TAB		
Material	6-4 Ti	Back to Image	
Hole Size A	.190"		
Hole Size B			
Hole Size C			
Base Width	N/A		
Thickness	.090"		
Style	rectangle		
Comment			

Part #	M-121-JT		
Desc.	BILLET PEDAL FOOT LOOP TAB		
Material	Cp Gr2 Ti	Back to Image	
Hole Size A	.1875"		
Hole Size B			
Hole Size C			
Base Width	N/A		
Thickness	.063"		
Style	rectangle		
Comment			